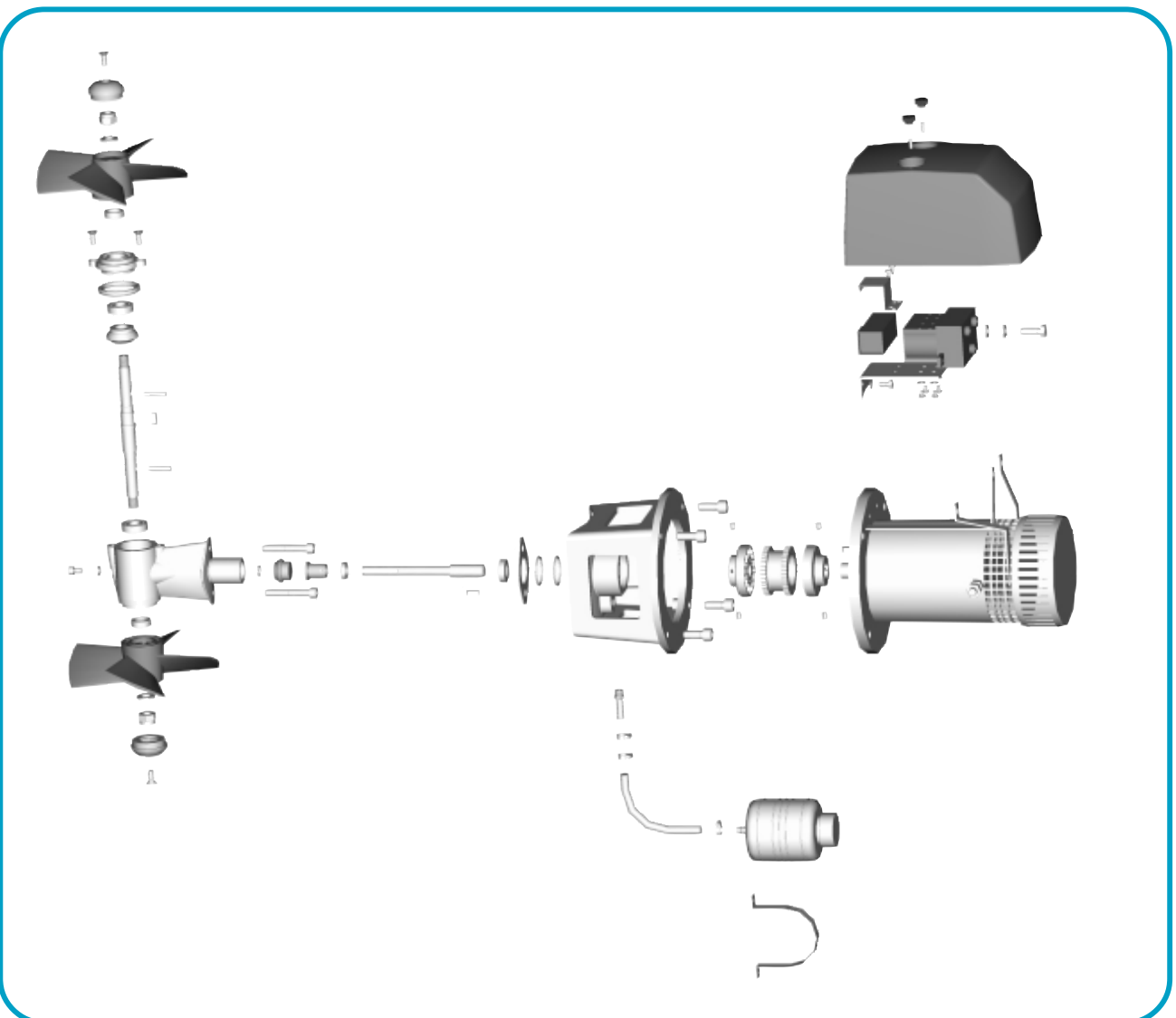
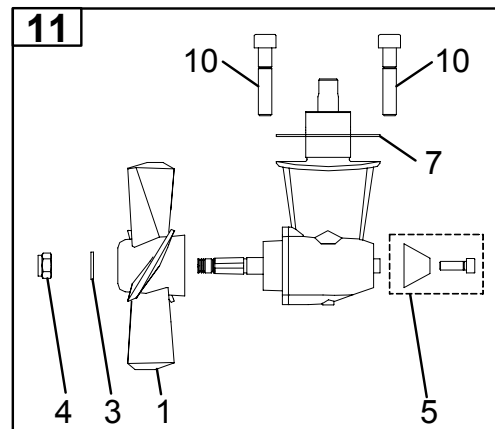
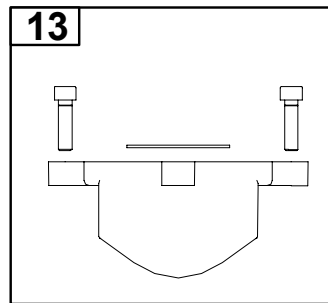
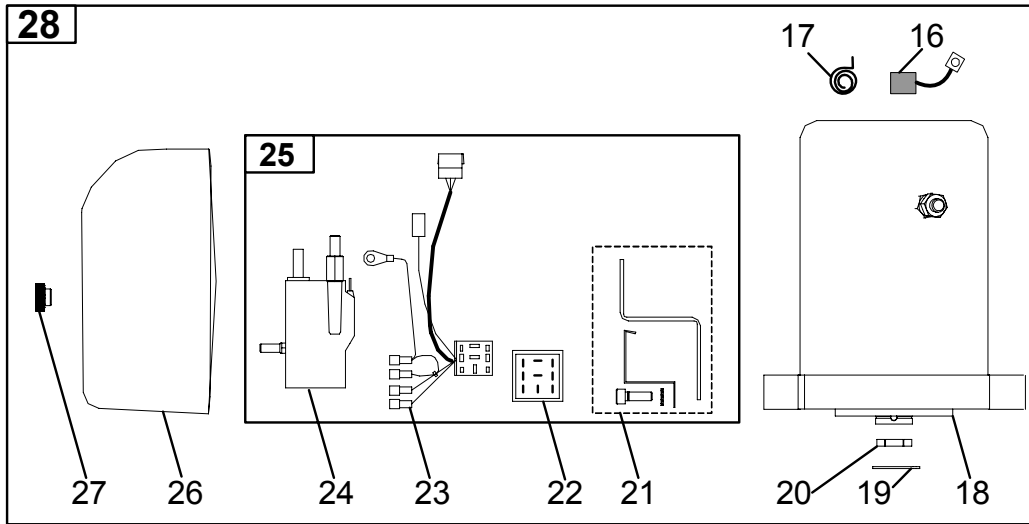




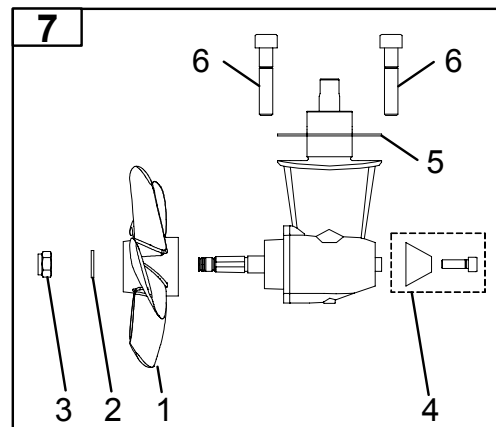
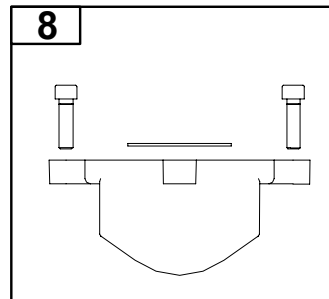
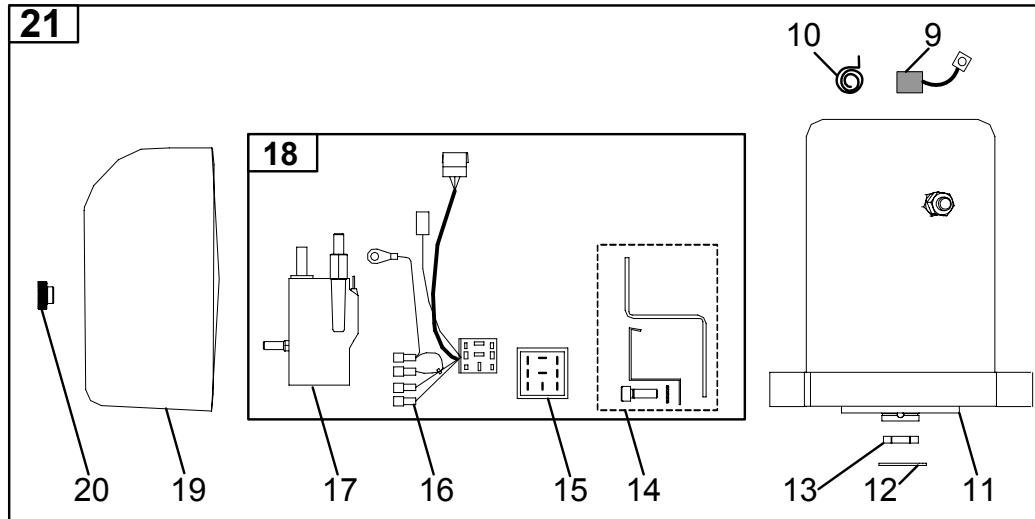
Parts List 2010 - Tunnel thrusters





Original model	SP 30 S2i	SP 30 Si	SP 30 S
Model period	02/05 - 11/07	12/04 - 01/05	05/03 - 11/04
Ref:	Part # 12V	Part # 12V	Part # 12V
28. Complete electric motor assembly	2 0101 12		
27. Nut for solenoid cover	6 8810	6 8807	
26. Solenoid cover	3 2024		
25. Complete solenoid kit	2 0131 12		2 0130 12
24. Solenoid	41571123		
23. Internal wiring loom	6 1200B		6 1200
22. Electronic control box	6 1232i		6 1229
21. Solenoid bracket kit	2 0135		
20. Shear pin for electric motor shaft	3 2050		
19. Retaining ring	3 1143		
18. Electric motor	N/A		
17. Brush springs for electric motor (kit)	2 0170 12*		
16. Brushes for electric motor (kit)	2 0180 12*		
15. Oil container with holder	N/A	20 0300	
14. Oil hose with hose clamps	N/A	20 0400	
13. Complete motor bracket	3 0501	3 0500	
12. O-ring seals in motor bracket	N/A	3 2340	
11. Complete gearleg	3 0601		
10. Gearleg bolt	3 1080		
9. Drive shaft seal	N/A	3 1350	
8. Propeller shaft seal	N/A	3 1351	
7. Gasket	3 1310 10		
6. Oil drain screw with gasket	N/A	3 1220	
5. Zinc anode	3 1180		
4. Locknut	3 1250		
3. Propeller washer	3 1365		
2. Propeller drive pin	N/A	3 1240	
1. Propeller	3 1261	3 1260	
Other comments:			

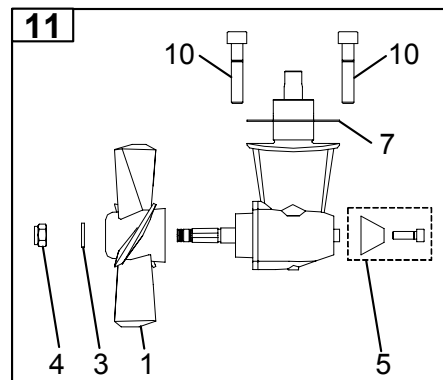
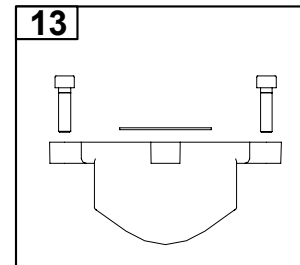
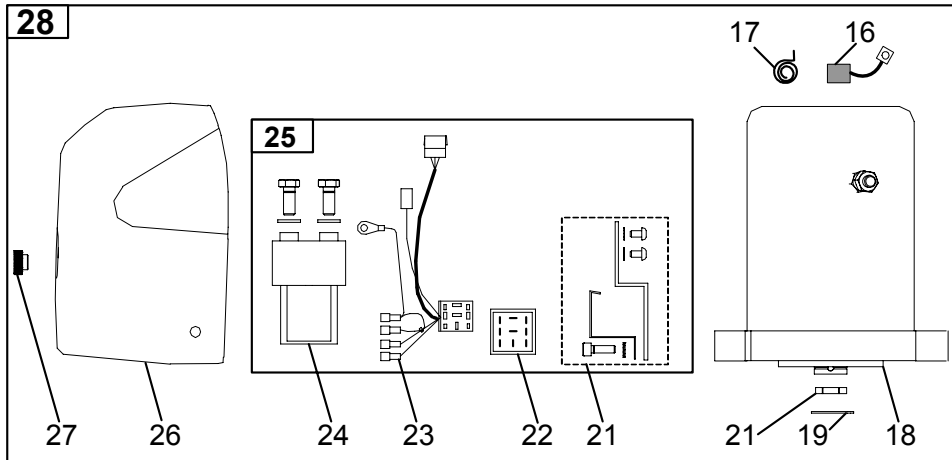
* Please provide thruster serial number when ordering brushes and brush springs.



Original model	SE30/125S
Model period	12/07 <
Ref:	Part #
21. Complete electric motor assembly	2 0101 12
20. Nut for solenoid cover	6 8810
19. Solenoid cover	3 2024
18. Complete solenoid kit	2 0131 12
17. Solenoid	41571123
16. Internal wiring loom	6 1200B
15. Electronic control box	6 1232i
14. Solenoid bracket kit	2 0135
13. Shear pin for electric motor shaft	3 2050
12. Retaining ring	3 1143
11. Electric motor	N/A
10. Brush springs for electric motor (kit)	2 0170 12*
9. Brushes for electric motor (kit)	2 0180 12*
8. Complete motor bracket	3 0501
7. Complete gearleg	3 0601
6. Gearleg bolt	3 1089
5. Gasket	3 1310 10
4. Zinc anode	3 1180
3. Locknut	3 1250
2. Propeller w/asher	3 1365
1. Propeller	3 1261

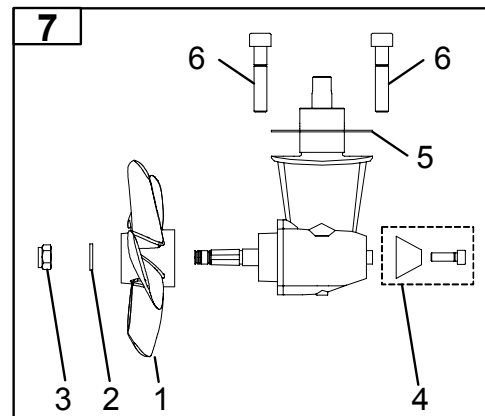
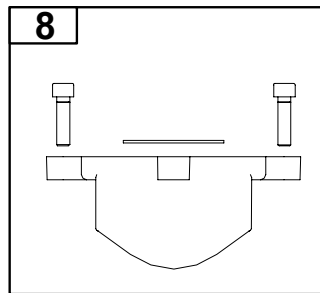
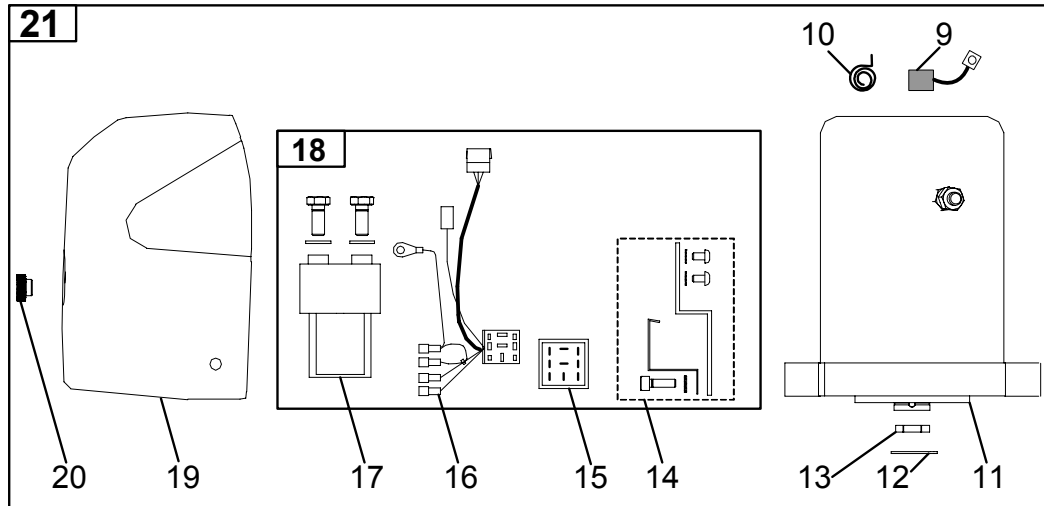
Other comments:

* Please provide thruster serial number when ordering brushes and brush springs.



Original model	SP 40 S2i	SP 40 Si	SP 40 S	SP 35 S
Model period	02/05 - 11/07	12/04 - 01/05	01/03 - 11/04	> 01/03
Ref:	Part # 12V	Part # 12V	Part # 12V	Part # 12V
28. Complete electric motor assembly	3 0101 12			
27. Nut for solenoid cover	6 8807			
26. Solenoid cover	3 2026			3 2025
25. Complete solenoid kit	3 0131 12		3 0130 12	
24. Solenoid	41472123			
23. Internal wiring loom	6 1226B		6 1226	
22. Electronic control box	6 1232i		6 1229	
21. Solenoid bracket kit	3 0135			
20. Shear pin for electric motor shaft	3 2050			
19. Retaining ring	3 1143			
18. Electric motor	N/A			
17. Brush springs for electric motor (kit)	3 0170 12*			
16. Brushes for electric motor (kit)	3 0180 12*			
15. Oil container with holder	N/A	20 0300		
14. Oil hose with hose clamps	N/A	20 0400		
13. Complete motor bracket	3 0501	3 0500		
12. O-ring seals in motor bracket	N/A	3 2340		
11. Complete gearleg	3 0601			
10. Gearleg bolt	3 1080			
9. Drive shaft seal	N/A	3 1350		
8. Propeller shaft seal	N/A	3 1351		
7. Gasket	3 1310 10			
6. Oil drain screw with gasket	N/A	3 1220		
5. Zinc anode	3 1180			
4. Locknut	3 1250			
3. Propeller washer	3 1365			
2. Propeller drive pin	N/A	3 1240		
1. Propeller	3 1261	3 1260		
Other comments:				

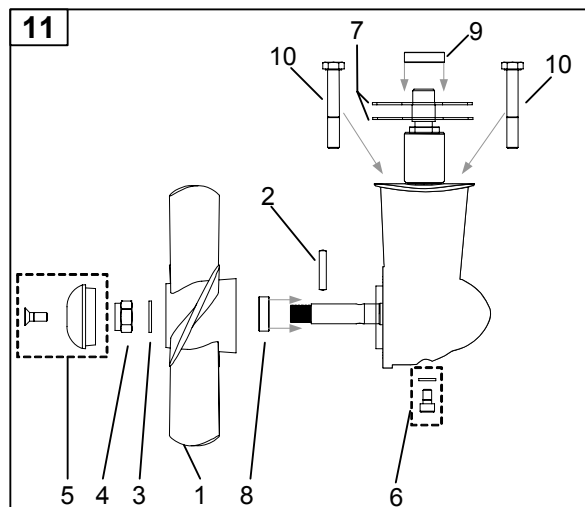
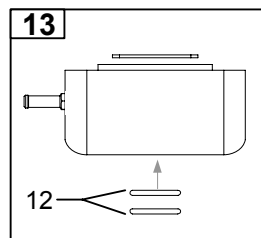
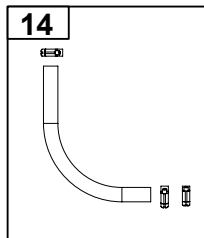
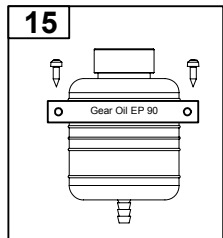
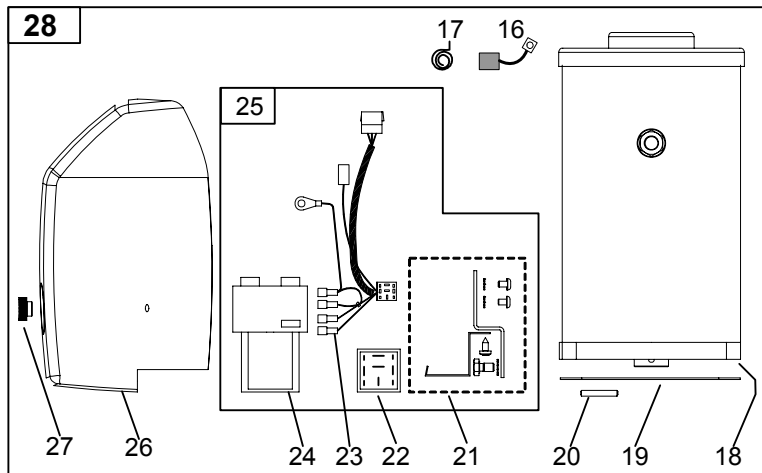
* Please provide thruster serial number when ordering brushes and brush springs.



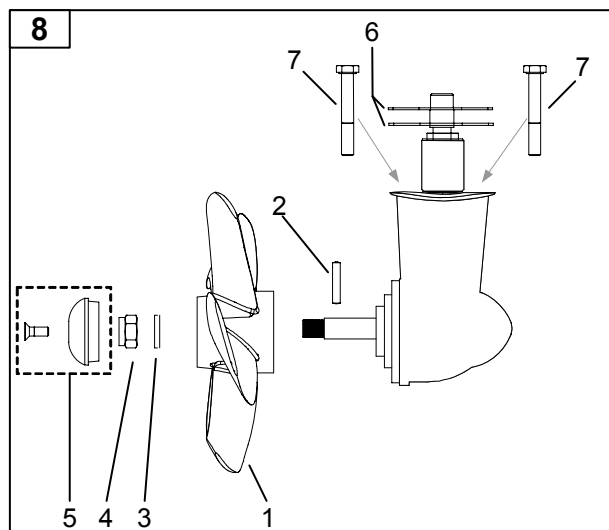
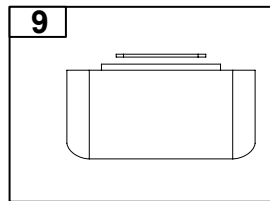
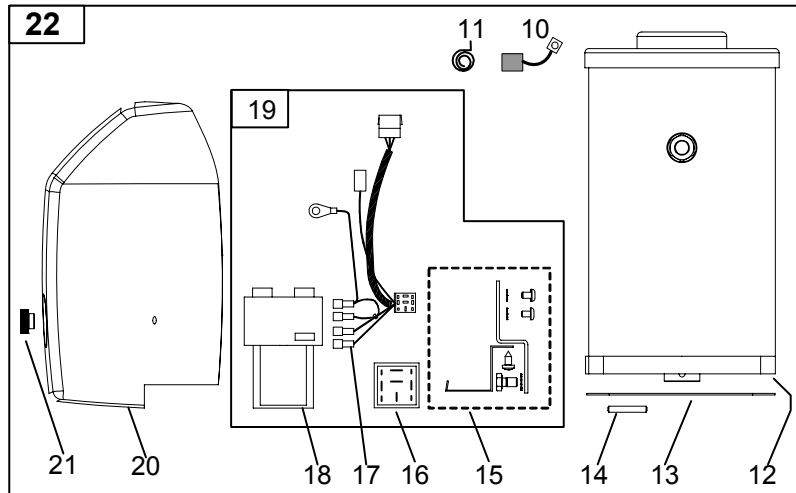
Original model	SE40/125S
Model period	12/07 <
Ref:	Part #
21. Complete electric motor assembly	12V 3 0101 12
20. Nut for solenoid cover	6 8807
19. Solenoid cover	3 2026
18. Complete solenoid kit	3 0131 12
17. Solenoid	41472123
16. Internal wiring loom	6 1226B
15. Electronic control box	6 1232i
14. Solenoid bracket kit	3 0135
13. Shear pin for electric motor shaft	3 2050
12. Retaining ring	3 1143
11. Electric motor	N/A
10. Brush springs for electric motor (kit)	3 0170 12*
9. Brushes for electric motor (kit)	3 0180 12*
8. Complete motor bracket	3 0501
7. Complete gearleg	3 0601
6. Gearleg bolt	3 1080
5. Gasket	3 1310 10
4. Zinc anode	3 1180
3. Locknut	3 1250
2. Propeller w washer	3 1365
1. Propeller	3 1261

Other comments:

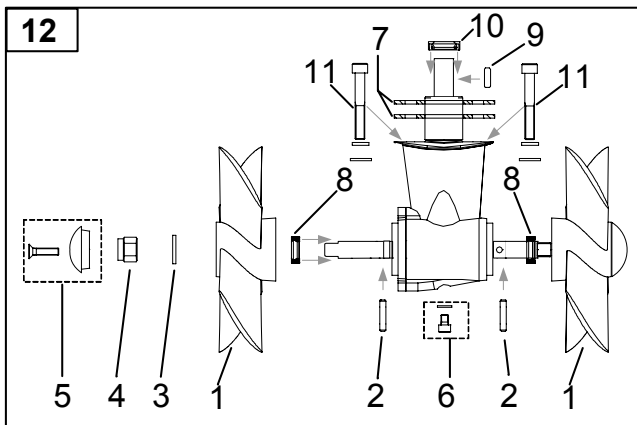
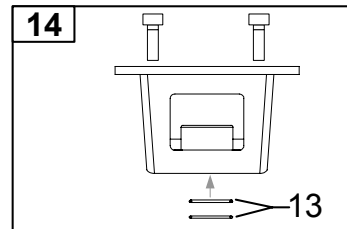
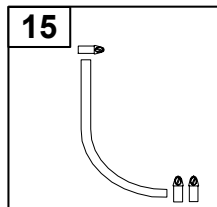
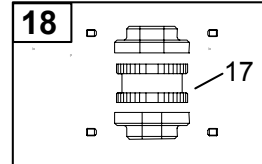
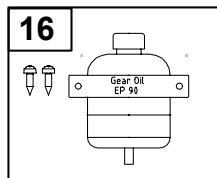
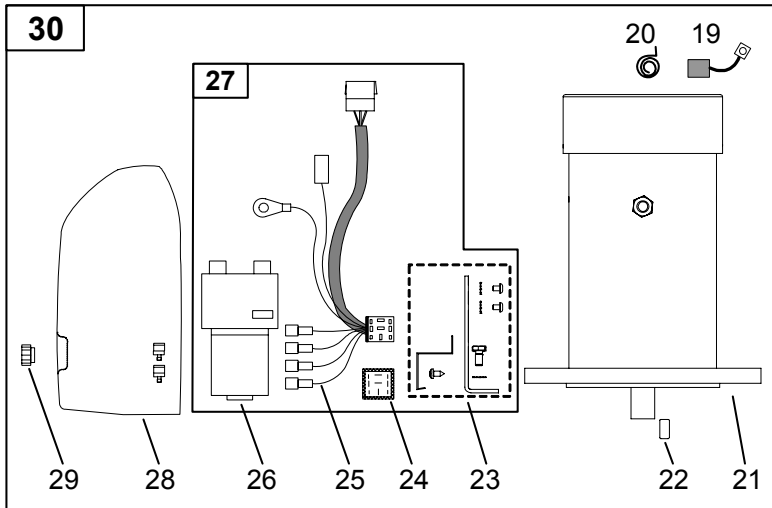
* Please provide thruster serial number when ordering brushes and brush springs.



Original model	SP 55 S2i		SP 55 Si		SP 55 S		4 Hp (8112A / 8124A)	
	Model period		Model period		Model period		Model period	
Ref:	Part #		Part #		Part #		Part #	
	12V	24V	12V	24V	12V	24V	12V	24V
28. Complete electric motor assembly	4 0101 12 / 4 0101 24							
27. Nut for solenoid cover	6 8807							
26. Solenoid cover	4 2026							
25. Complete solenoid kit	4 0131 12 / 4 0131 24				4 0130 12 / 4 0130 24			
24. Solenoid	(12V) 41472123 / 41471243 (24V)							
23. Internal wiring loom	6 1226B				6 1226			
22. Electronic control box	6 1232i				6 1229			
21. Solenoid bracket kit	4 0135							
20. Shear pin for electric motor shaft	4 2050							
19. Gasket	6 1061							
18. Electric motor	N/A							
17. Brush springs for electric motor (kit)	4 0170 12* / 4 0170 24*							
16. Brushes for electric motor (kit)	4 0180 12* / 4 0180 24*							
15. Oil container with holder	N/A		20 0300					
14. Oil hose with hose clamps	N/A		20 0400					
13. Complete motor bracket	4 0501		4 0500					
12. O-ring seals in motor bracket	N/A		4 2340					
11. Complete gearleg	4 0602							
10. Gearleg bolt	6 1080							
9. Drive shaft seal	N/A		7 1350					
8. Propeller shaft seal	N/A		6 1350					
7. Gaskets	4 0610							
6. Oil drain screw w ith gasket	N/A		6 1220				6 1180	
5. Zinc anode	7 1190				6 1180			
4. Locknut	4 1260							
3. Propeller washer	7 1181							
2. Propeller drive pin	6 1241							
1. Propeller	7 1261		7 1260				7 1250	
Other comments:								
* Please provide thruster serial number when ordering brushes and brush springs.								



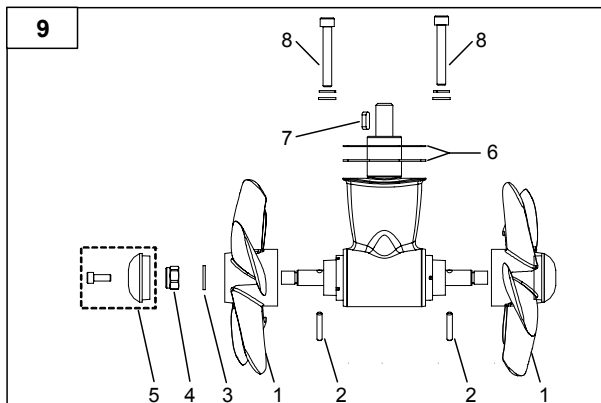
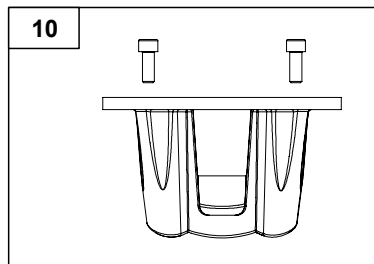
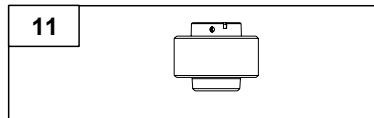
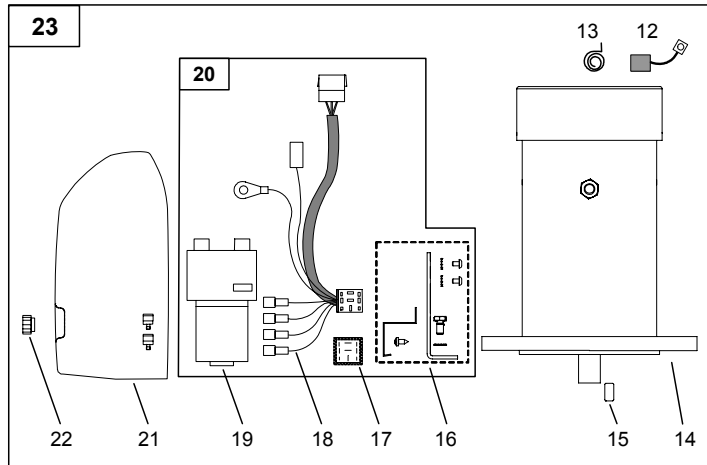
Original model	SE60/185S	
Model period	09/07 <	
Ref:	Part #	
	12V	24V
22. Complete electric motor assembly	4 0101 12	4 0101 24
21. Nut for solenoid cover	6 8807	
20. Solenoid cover	4 2026	
19. Complete solenoid kit	4 0131 12	4 0131 24
18. Solenoid	41472123	41471243
17. Internal wiring loom	6 1226B	
16. Electronic control box	6 1232i	
15. Solenoid bracket kit	4 0135	
14. Shear pin for electric motor shaft	4 2050	
13. Gasket	6 1061	
12. Electric motor	NA	
11. Brush springs for electric motor (kit)	4 0170 12*	4 0170 24*
10. Brushes for electric motor (kit)	4 0180 12*	4 0180 24*
9. Complete motor bracket	4 0501	
8. Complete gearleg	4 0602	
7. Gearleg bolt	6 1080	
6. Gaskets	4 0610	
5. Zinc anode	7 1190	
4. Locknut	4 1260	
3. Propeller washer	7 1181	
2. Propeller drive pin	6 1241	
1. Propeller	4 1261	
Other comments:		
* Please provide thruster serial number when ordering brushes and brush springs.		



Original model	SP 75 Ti		SP 75 T	
	Model period		Model period	
	12/04 - 08/07		10/99 - 11/04	
	Part #		Part #	
Ref:	12V	24V	12V	24V
30. Complete electric motor assembly	6 0101 12 / 6 0101 24			
29. Nut for solenoid cover	6 8810			
28. Solenoid cover	6 2025			
27. Complete solenoid kit	6 0131 12	6 0131 24	6 0130 12	6 0130 24
26. Solenoid	(12V) 41371123 / 41371243 (24V)			
25. Internal wiring loom	6 1226B		6 1226	
24. Electronic control box	6 1232i		6 1229	
23. Solenoid bracket kit	6 0135			
22. Key for electric motor shaft	10 1440			
21. Electric motor	N/A			
20. Brush springs for electric motor (kit)	6 0170 12* / 6 0170 24*			
19. Brushes for electric motor (kit)	6 0180 12* / 6 0180 24*			
18. Complete flexible coupling	7 1450			
17. Rubber element	7 1451			
16. Oil container with holder	20 0300			
15. Oil hose with hose clamps	20 0400			
14. Complete motor bracket	8 0500			
13. O-ring seals in motor bracket	7 1340			
12. Complete gearleg	8 0601			
11. Gearleg bolt	7 1080			
10. Drive shaft seal	7 1350			
9. Drive shaft key	6 1440			
8. Propeller shaft seal	6 1350			
7. Gasket (kit)	8 0610			
6. Oil drain screw with gasket	6 1220			
5. Zinc anode	7 1190			
4. Locknut	4 1260			
3. Propeller washer	7 1181			
2. Propeller drive pin	6 1241			
1. Propeller	7 1260			

Other comments:

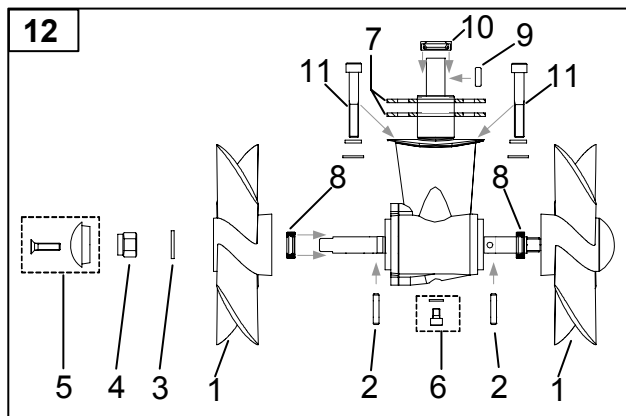
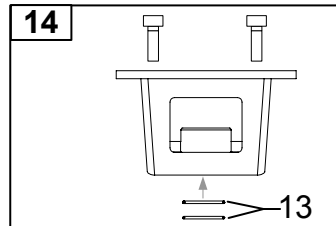
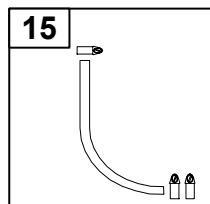
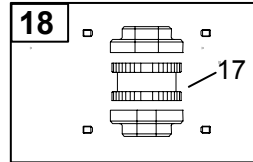
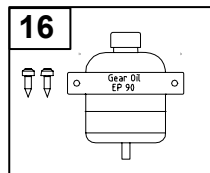
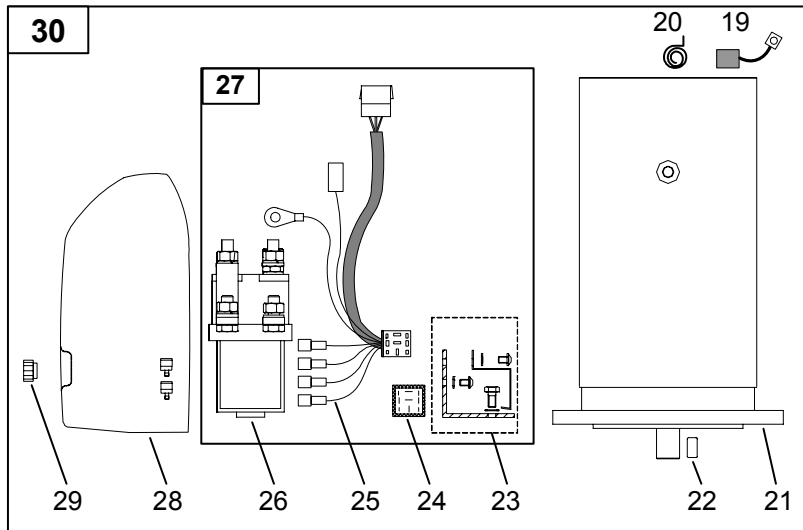
* Please provide thruster serial number when ordering brushes and brush springs.



Original model	SE80/185T	
Model period	09/07 <	
Ref:	Part #	
	12V	24V
23. Complete electric motor assembly	6 0101 12	6 0101 24
22. Nut for solenoid cover	6 8810	
21. Solenoid cover	6 2025	
20. Complete solenoid kit	6 0131 12	6 0131 24
19. Solenoid	41371123	41371243
18. Internal wiring loom	6 1226B	
17. Electronic control box	6 1232i	
16. Solenoid bracket kit	6 0135	
15. Key for electric motor shaft	10 1440	
14. Electric motor	N/A	
13. Brush springs for electric motor (kit)	6 0170 12*	6 0170 24*
12. Brushes for electric motor (kit)	6 0180 12*	6 0180 24*
11. Complete flexible coupling	7 1462	
10. Complete motor bracket	8 0501	
9. Complete gearleg	8 0601	
8. Gearleg bolt	7 1080	
7. Drive shaft key	6 1440	
6. Gasket (kit)	8 0611	
5. Zinc anode	7 1190	
4. Locknut	4 1260	
3. Propeller w/asher	7 1181	
2. Propeller drive pin	6 1241	
1. Propeller	7 1261	

Other comments:

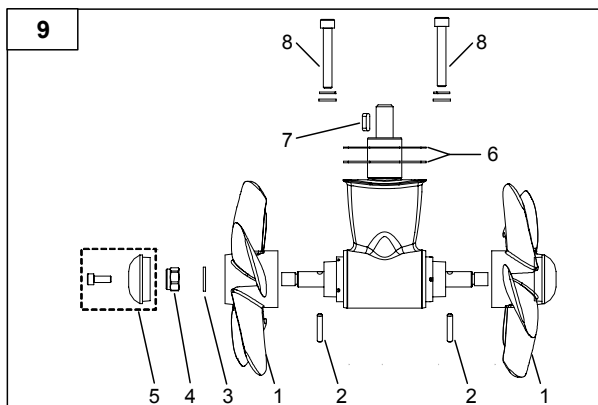
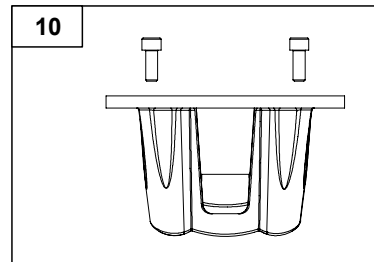
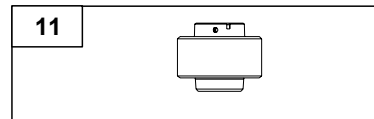
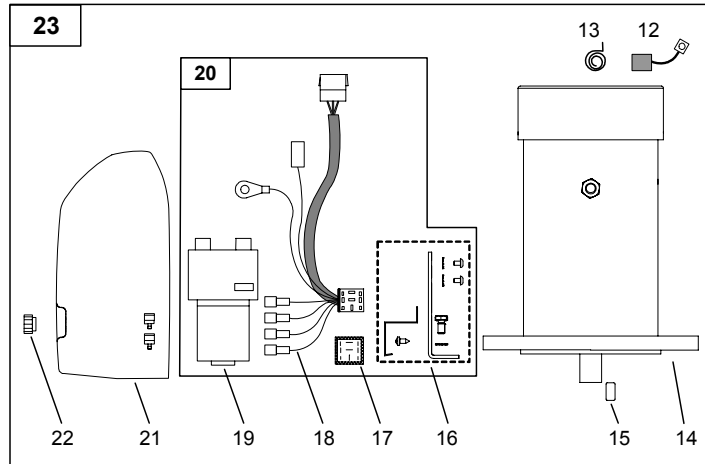
* Please provide thruster serial number when ordering brushes and brush springs.



Original model	SP 95 Ti		SP 95 T	
	12/04 - 08/07		03/00 - 11/04	
Model period	Part #		Part #	
	12V	24V	12V	24V
Ref:				
30. Complete electric motor assembly	8 0101 12 / 8 0101 24			
29. Nut for solenoid cover	6 8810			
28. Solenoid cover	(12V) 8 2025 / 8 2026 (24V)			
27. Complete solenoid kit	9 0131 12	10 0131 24	8 0130 12	10 0130 24
26. Solenoid	(12V) 1013713 / 41371243 (24V)			
25. Internal wiring loom	15 1273B	6 1226B	15 1273	6 1226
24. Electronic control box	6 1232i		6 1229	
23. Solenoid bracket kit	9 0135 12 / 10 0140 24			
22. Key for electric motor shaft	10 1440			
21. Electric motor	N/A			
20. Brush springs for electric motor (kit)	8 0170 12* / 8 0170 24*			
19. Brushes for electric motor (kit)	8 0180 12* / 8 0180 24*			
18. Complete flexible coupling	7 1450			
17. Rubber element	7 1451			
16. Oil container with holder	20 0300			
15. Oil hose with hose clamps	20 0400			
14. Complete motor bracket	8 0500			
13. O-ring seals in motor bracket	7 1340			
12. Complete gearleg	8 0601			
11. Gearleg bolt	7 1080			
10. Drive shaft seal	7 1350			
9. Drive shaft key	6 1440			
8. Propeller shaft seal	6 1350			
7. Gasket (kit)	8 0610			
6. Oil drain screw with gasket	6 1220			
5. Zinc anode	7 1190			
4. Locknut	4 1260			
3. Propeller washer	7 1181			
2. Propeller drive pin	6 1241			
1. Propeller	7 1260			

Other comments:

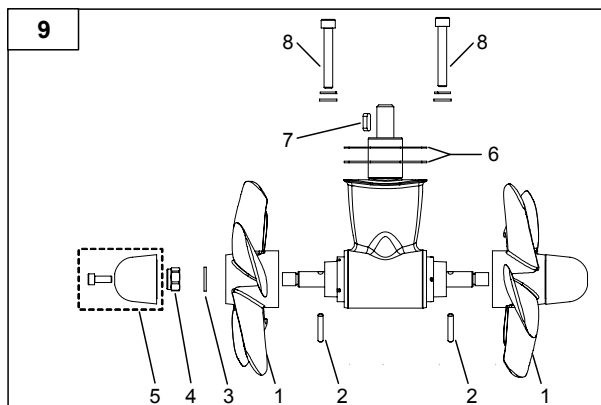
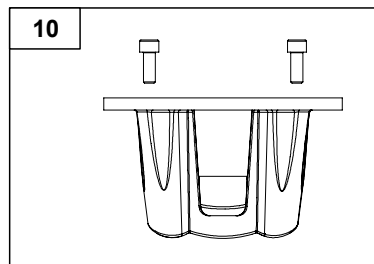
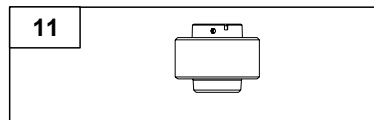
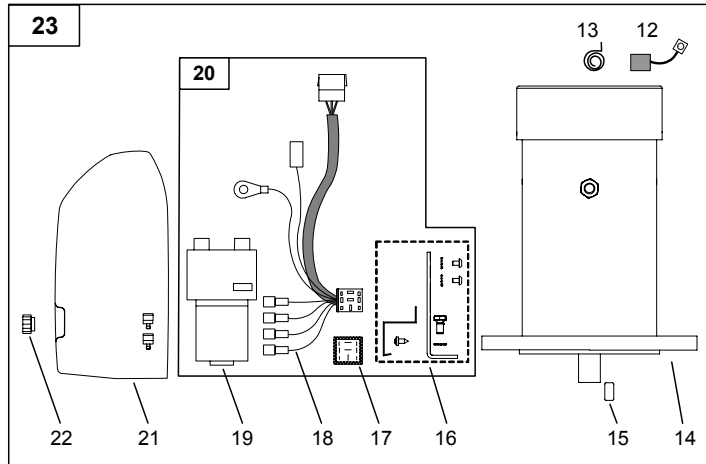
* Please provide thruster serial number when ordering brushes and brush springs.



Original model	SE100/185T	
Model period	09/07 <	
Ref:	Part #	
	12V	24V
23. Complete electric motor assembly	8 0101 12	8 0101 24
22. Nut for solenoid cover	6 8810	
21. Solenoid cover	8 2025	8 2026
20. Complete solenoid kit	9 0131 12	10 0131 24
19. Solenoid	1013713	41371243
18. Internal wiring loom	15 1273B	6 1226B
17. Electronic control box	6 1232i	
16. Solenoid bracket kit	9 0135 12	10 0140 24
15. Key for electric motor shaft	10 1440	
14. Electric motor	N/A	
13. Brush springs for electric motor (kit)	8 0170 12*	8 0170 24*
12. Brushes for electric motor (kit)	8 0180 12*	8 0180 24*
11. Complete flexible coupling	7 1462	
10. Complete motor bracket	8 0501	
9. Complete gearleg	8 0601	
8. Gearleg bolt	7 1080	
7. Drive shaft key	6 1440	
6. Gasket (kit)	8 0611	
5. Zinc anode	7 1190	
4. Locknut	4 1260	
3. Propeller washer	7 1181	
2. Propeller drive pin	6 1241	
1. Propeller	7 1261	

Other comments:

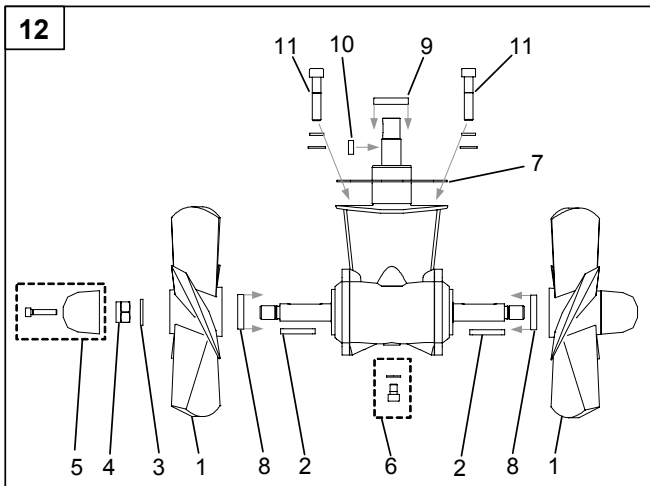
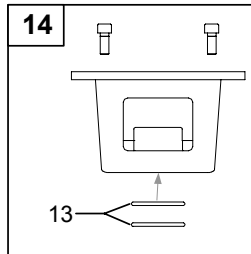
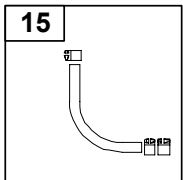
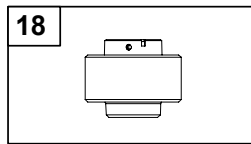
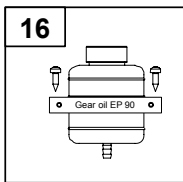
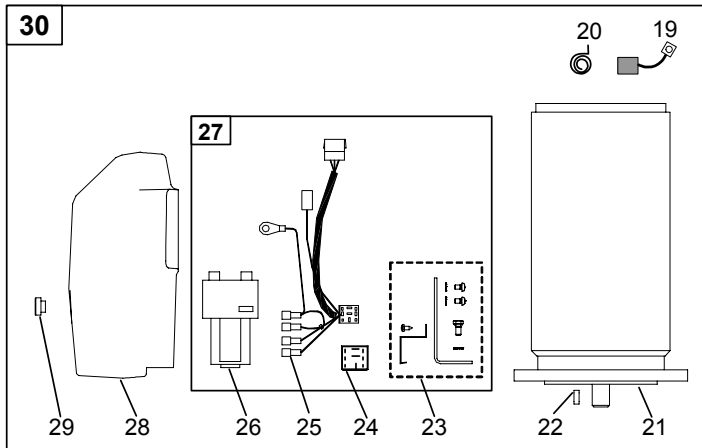
* Please provide thruster serial number when ordering brushes and brush springs.



Original model	SE120/215T
Model period	12/07 <
Ref:	Part #
23. Complete electric motor assembly	24V
23. Complete electric motor assembly	8 0103 24
22. Nut for solenoid cover	6 8810
21. Solenoid cover	8 2026
20. Complete solenoid kit	10 0131 24
19. Solenoid	41371243
18. Internal wiring loom	6 1226B
17. Electronic control box	6 1232i
16. Solenoid bracket kit	10 0140 24
15. Key for electric motor shaft	10 1440
14. Electric motor	N/A
13. Brush springs for electric motor (kit)	8 0170 24*
12. Brushes for electric motor (kit)	8 0180 24*
11. Complete flexible coupling	7 1463
10. Complete motor bracket	9 0500
9. Complete gearleg	10 0600
8. Gearleg bolt	10 1080
7. Drive shaft key	10 1440
6. Gasket	9 1355
5. Zinc anode	20 1180
4. Locknut	10 1260
3. Propeller w washer	20 1181
2. Propeller drive pin	9 1241
1. Propeller	9 1261

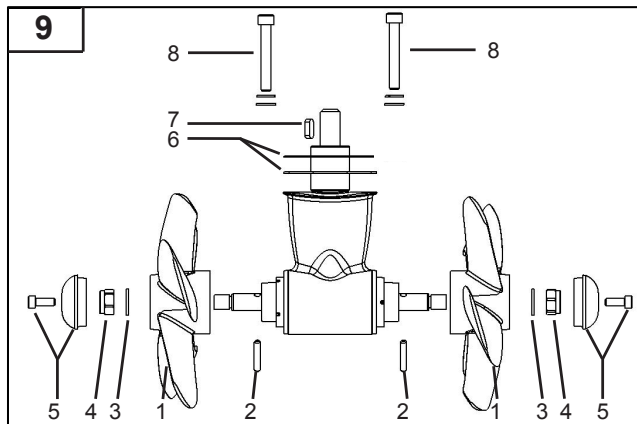
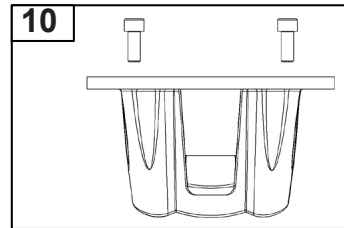
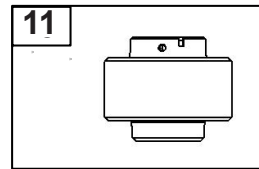
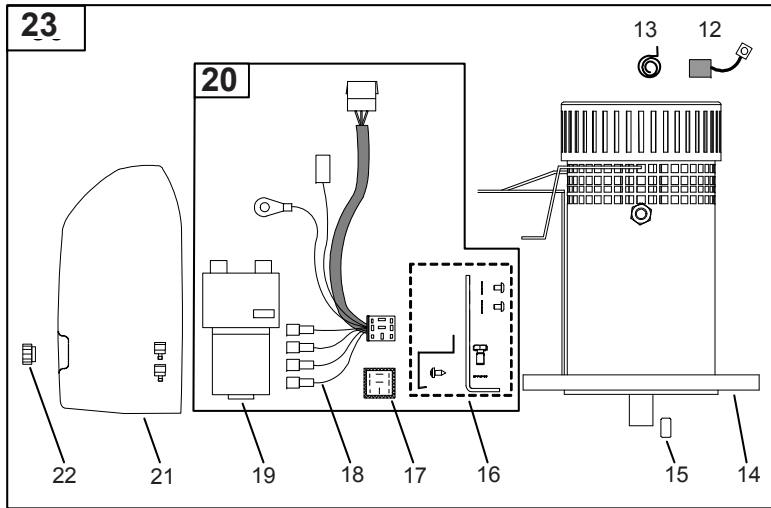
Other comments:

* Please provide thruster serial number when ordering brushes and brush springs.



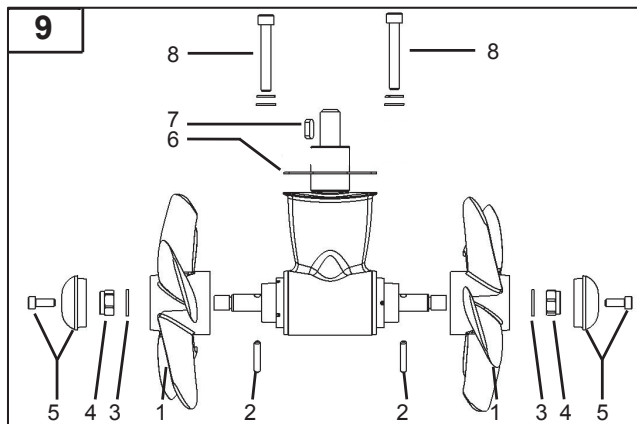
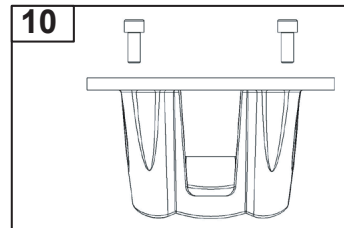
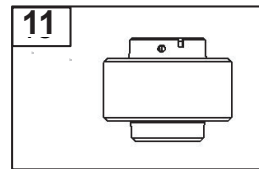
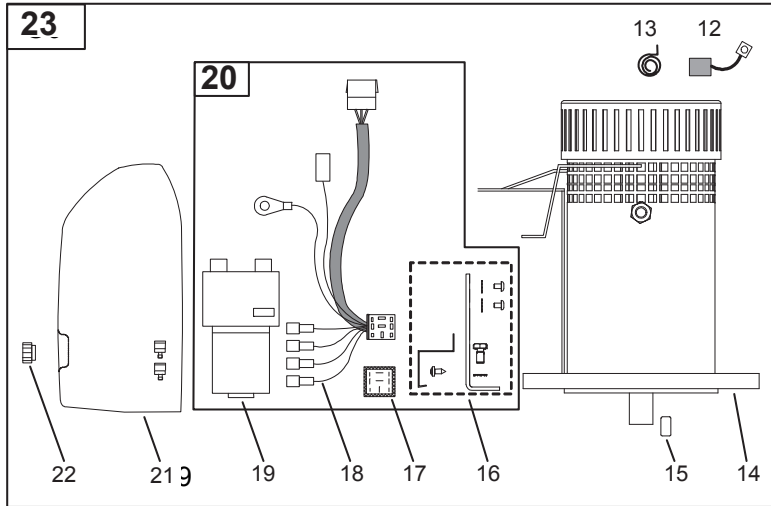
Original model	SP 125 Ti		SP 125 T	
	12/04 <		05/02 - 11/04	
	Part #		Part #	
Ref:	12V	24V	12V	24V
30. Complete electric motor assembly	9 0101 12 / 9 0101 24			
29. Nut for solenoid cover	6 8810			
28. Solenoid cover	(12V) 9 2026 / 9 2025 (24V)			
27. Complete solenoid kit	9 0131 12	10 0131 24	9 0130 12	10 0130 24
26. Solenoid	(12V) 1013713 / 41371243 (24V)			
25. Internal wiring loom	15 1273B	6 1226B	15 1273	6 1226
24. Electronic control box	6 1232i		6 1229	
23. Solenoid bracket kit	(12V) 9 0135 12 / 10 0140 24 (24V)			
22. Key for electric motor shaft	10 1440			
21. Electric motor	N/A			
20. Brush springs for electric motor (kit)	(12V) 9 0170 12* / 9 0170 24* (24V)			
19. Brushes for electric motor (kit)	(12V) 9 0180 12* / 9 0180 24* (24V)			
18. Complete flexible coupling	7 1463			
17. Rubber element	N/A			
16. Oil container with holder	20 0300			
15. Oil hose with hose clamps	20 0400			
14. Complete motor bracket	10 0500			
13. O-ring seals in motor bracket	10 1340			
12. Complete gearleg	9 0600			
11. Gearleg bolt	10 1080			
10. Drive shaft key	10 1440			
9. Drive shaft seal	20 1351			
8. Propeller shaft seal	20 1350			
7. Gasket	9 0610			
6. Oil drain screw with gasket	10 1220			
5. Zinc anode	20 1180			
4. Locknut	10 1260			
3. Propeller washer	20 1181			
2. Propeller key	10 1241			
1. Propeller	10 1270 RH			
Other comments:				

* Please provide thruster serial number when ordering brushes and brush springs.



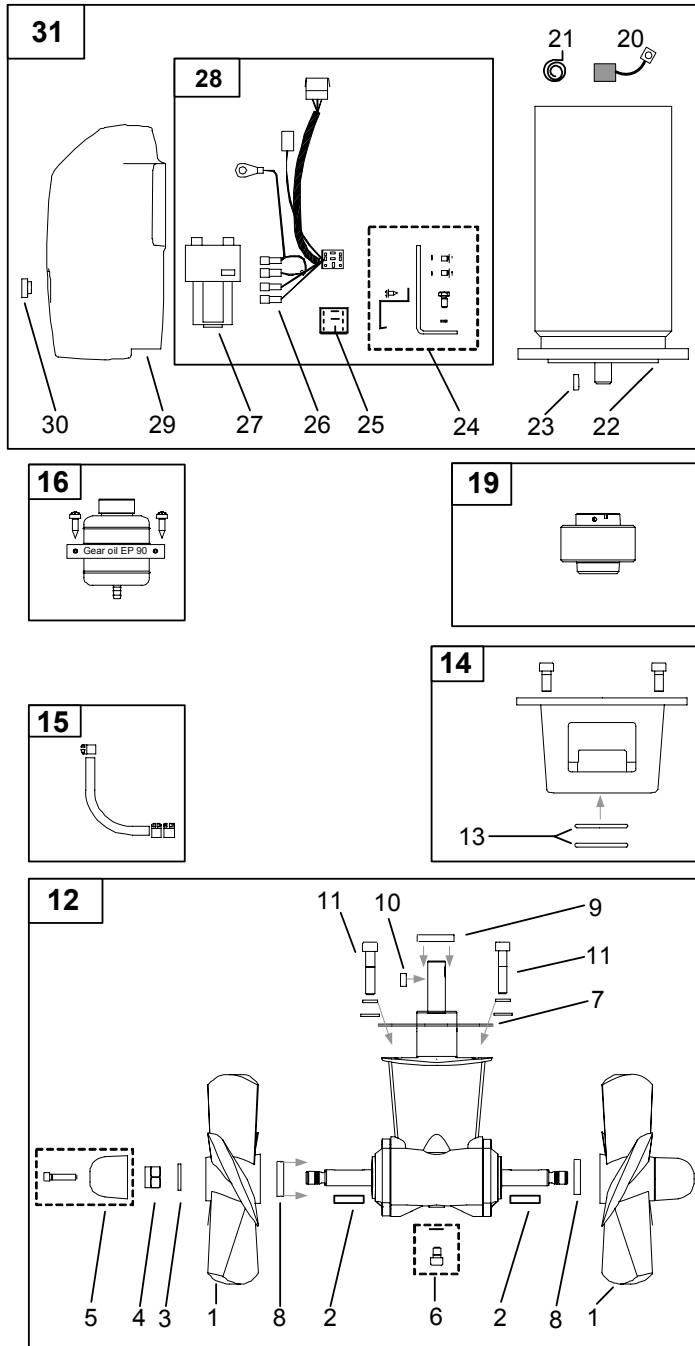
Original model		SE 130/250T	
		09/07 <	
Model period		Part #	
		12V	24V
Ref:			
23	Complete electric motor assembly	9 0101 12	9 0101 24
22	Nut for solenoid cover	6 8810	6 8810
21	Solenoid Cover	9 2026	6 2025
20	Complete solenoid kit	9 0131 12	9 0131 24
19	Solenoid	1013713	41371243
18	Internal wiring loom	15 1273B	6 1226B
17	Electronic control box	6 1232i	6 1232i
16	Solenoid bracket kit	9 0135 12	10 0140 24
15	Key for electric motor shaft	10 1440	10 1440
14	Electric motor	N/A	N/A
13	Brush springs for motor (kit)	9 0170 12*	9 0170 24*
12	Brushes for motor (kit)	9 0180 12*	9 0180 24*
11	Complete flexible coupling	7 1463	7 1463
10	Complete motor bracket	10 0501	10 0501
9	Complete gearleg	9 0601	9 0601
8	Gearleg bolt	10 1080	10 1080
7	Driveshaft key	10 1440	10 1440
6	Gasket	9 0610	9 0610
5	Zink anode	20 1180	20 1180
4	Locknut	10 1260	10 1260
3	Propeller washer	20 1181	20 1181
2	Propeller drivepin	9 1241	9 1241
1	Propeller	10 1271 RH	10 1271 RH

* Please provide thruster serial number when ordering brushes and brush springs



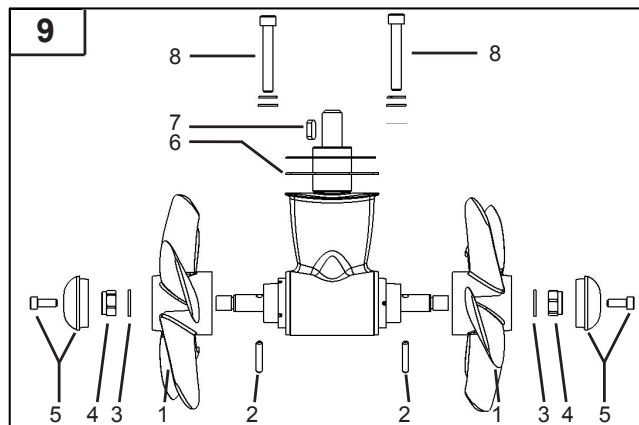
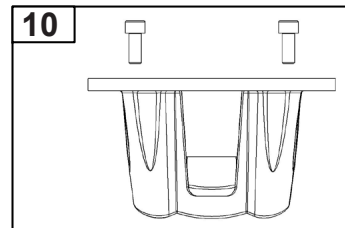
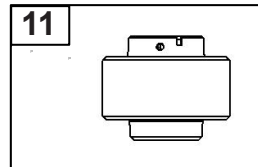
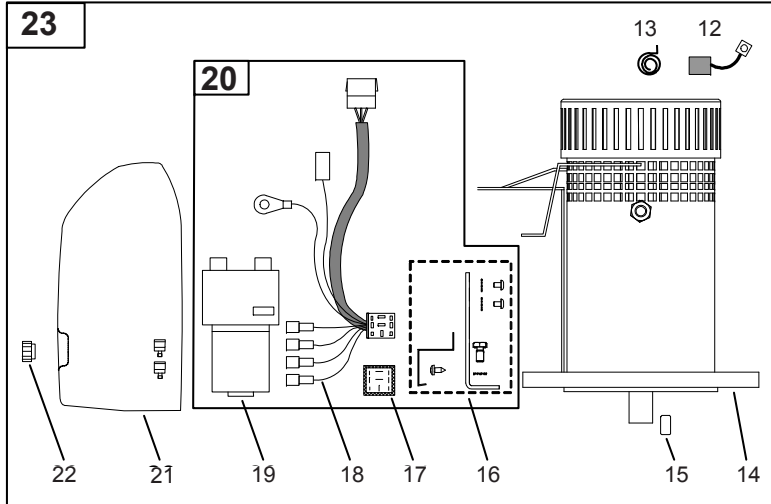
Original model		SE 150/215T
Model period		Part #
Ref:		24V
23	Complete electric motor assembly	9 0103 24
22	Nut for solenoid cover	6 8810
21	Solenoid Cover	8 2026
20	Complete solenoid kit	10 0131 24
19	Solenoid	41371243
18	Internal wiring loom	6 1226B
17	Electronic control box	6 1232i
16	Solenoid bracket kit	10 0140 24
15	Key for electric motor shaft	10 1440
14	Electric motor	N/A
13	Brush springs for motor (kit)	8 0170 24*
12	Brushes for motor (kit)	8 0180 24*
11	Complete flexible coupling	7 1463
10	Complete motor bracket	9 0500
9	Complete gearleg	10 0600
8	Gearleg bolt	10 1080
7	Driveshaft key	10 1440
6	Gasket	9 1355
5	Zink anode	20 1180
4	Locknut	10 1260
3	Propeller washer	20 1181
2	Propeller drivepin	9 1241
1	Propeller	9 1261

* Please provide thruster serial number when ordering brushes and brush springs



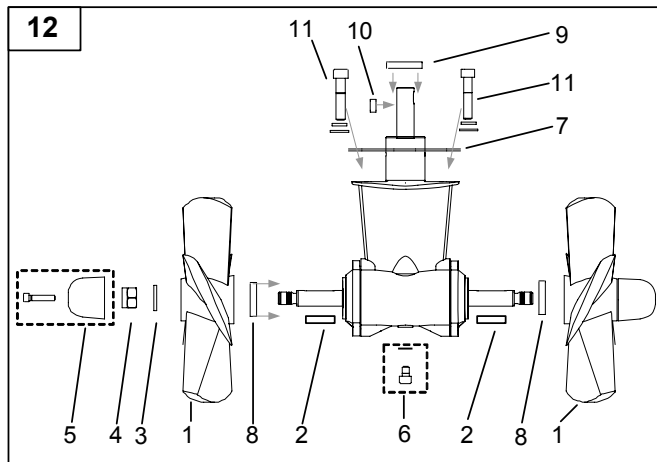
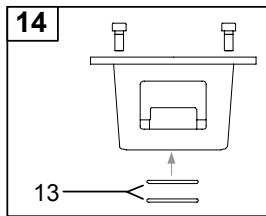
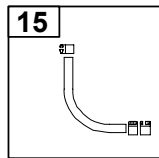
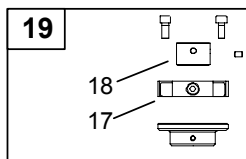
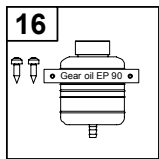
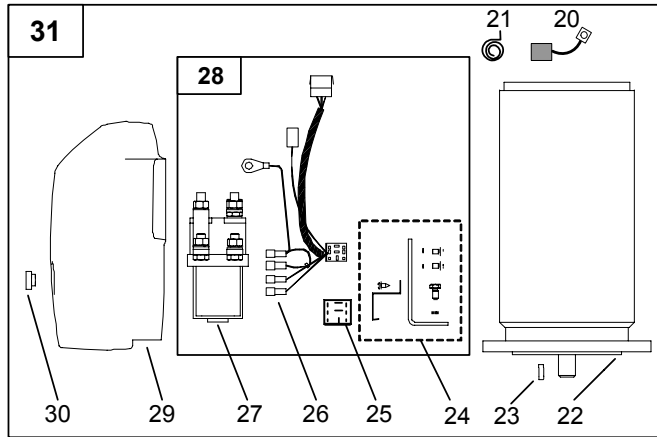
Original model	SP 155 TCi	SP 155 TC	10 Hp (10100)
Model period	12/04 <	10/99 - 11/04	03/94 - 09/99
Ref:	Part # 24V	Part # 24V	Part # 24V
31. Complete electric motor assembly	10 0101 24		
30. Nut for solenoid cover	6 8810	-	-
29. Solenoid cover	10 2025		
28. Complete solenoid kit	10 0131 24	10 0130 24	-
27. Solenoid	41371243		
26. Internal wiring loom	6 1226B	6 1226	10 1267
25. Electronic control box	6 1232i	6 1229	6 1229
24. Solenoid bracket kit	10 0140 24		-
23. Key for electric motor shaft	10 1440		
22. Electric motor	N/A		
21. Brush springs for electric motor (kit)	10 0170 24*		
20. Brushes for electric motor (kit)	10 0180 24*		
19. Complete flexible coupling	7 1463		
18. Hub flexible coupling	N/A		
17. Rubber element	N/A		
16. Oil container with holder	20 0300		
15. Oil hose with hose clamps	20 0400		
14. Complete motor bracket	10 0500		
13. O-ring seals in motor bracket	10 1340		
12. Complete gearleg	13 0600		
11. Gearleg bolt	10 1080		
10. Drive shaft key	10 1440		
9. Drive shaft seal	20 1351	10 1350	
8. Propeller shaft seal	20 1350	10 1350	
7. Gasket	10 1312		
6. Oil drain screw w ith gasket	10 1220		
5. Zinc anode	20 1180	10 1180	
4. Locknut	10 1260		
3. Propeller w asher	20 1181		
2. Propeller key	10 1241		
1. Propeller	10 1270 ??		10 1270
Other comments:	?? Need to indicate if this is a left hand (LH) or right hand (RH) propeller.	?? Need to indicate if this is a left hand (LH) or right hand (RH) propeller.	

* Please provide thruster serial number when ordering brushes and brush springs.



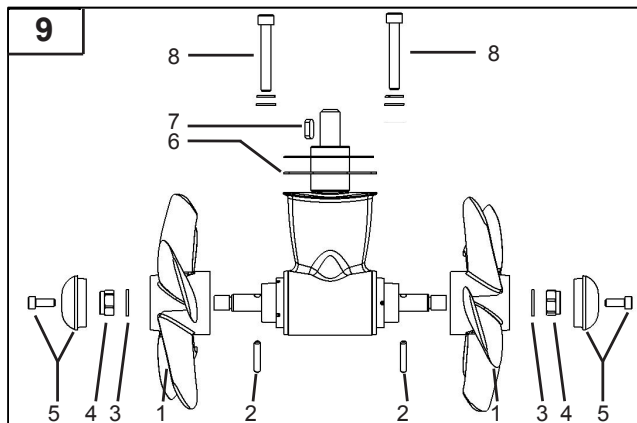
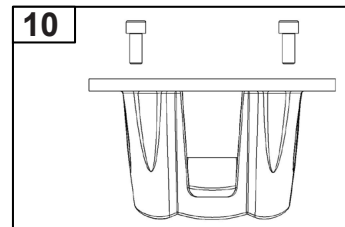
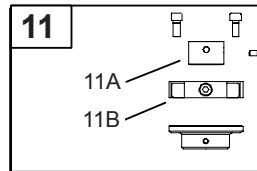
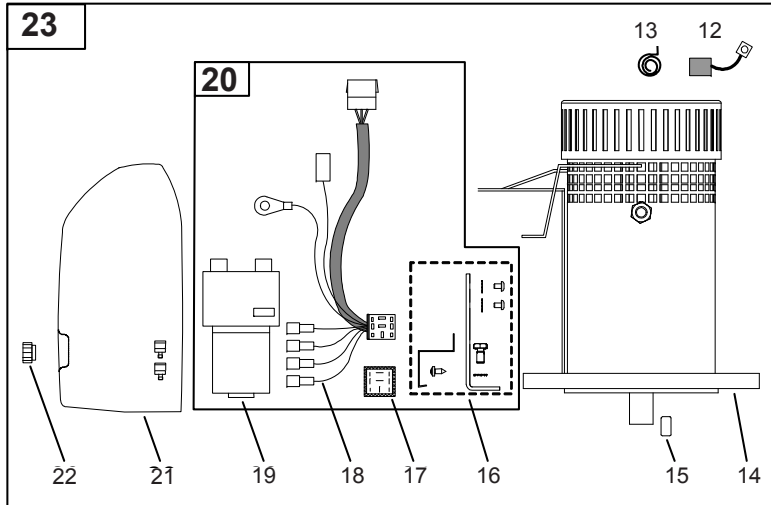
Original model		SE 170/250TC
Model period		Part #
Ref:		24V
23	Complete electric motor assembly	10 0101 24
22	Nut for solenoid cover	6 8810
21	Solenoid Cover	10 2025
20	Complete solenoid kit	10 0131 24
19	Solenoid	41371243
18	Internal wiring loom	6 1226B
17	Electronic control box	6 1232i
16	Solenoid bracket kit	10 0140 24
15	Key for electric motor shaft	10 1440
14	Electric motor	N/A
13	Brush springs for motor (kit)	10 0170 24*
12	Brushes for motor (kit)	10 0180 24*
11	Complete flexible coupling	7 1463
10	Complete motor bracket	10 0501
9	Complete gearleg	13 0601
8	Gearleg bolt	10 1080
7	Driveshaft key	10 1440
6	Gasket	10 1312
5	Zink anode	20 1180
4	Locknut	10 1260
3	Propeller washer	20 1181
2	Propeller drivepin	9 1241
1	Propeller (specify Left Hand or Right Hand)	10 1271 LH/RH

* Please provide thruster serial number when ordering brushes and brush springs



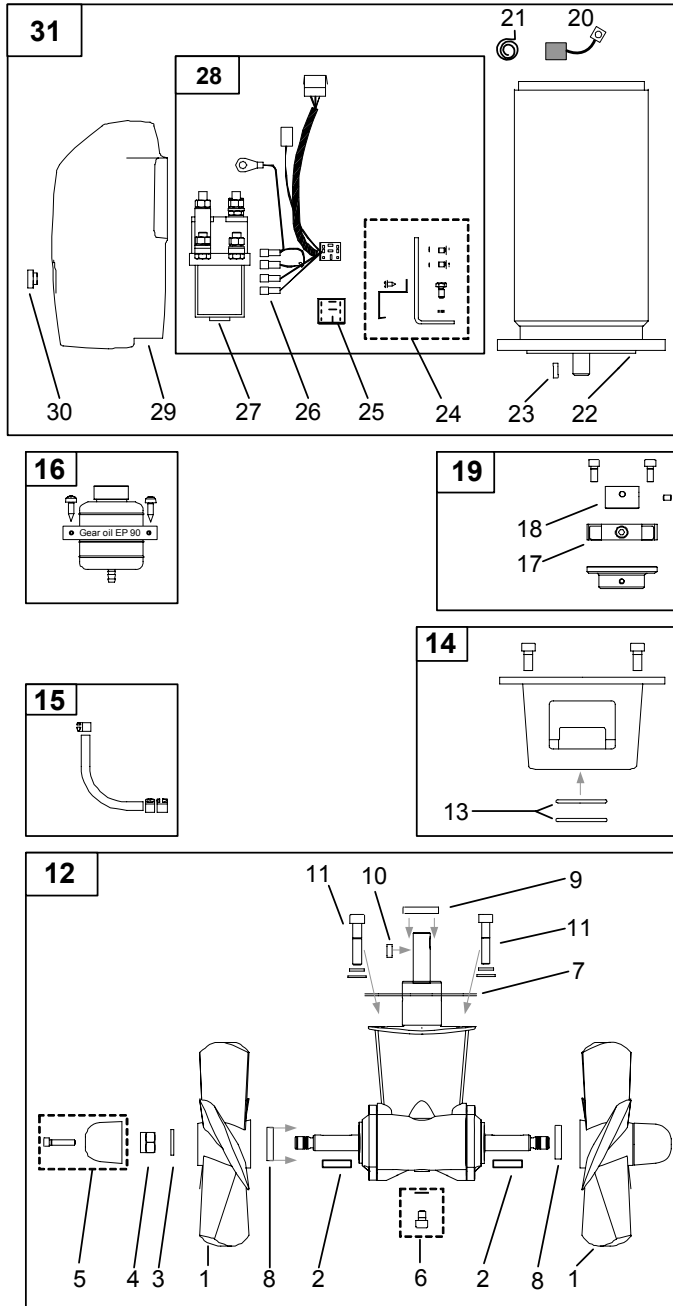
Original model	SP 200 TCi	SP 200 TC
Model period	12/04 <	06/00 - 11/04
Ref:	Part # 24V	Part # 24V
31. Complete electric motor assembly	13 0101 24	
30. Nut for solenoid cover	6 8810	
29. Solenoid cover	20 2027	
28. Complete solenoid kit	15 0131 24	15 0130 24
27. Solenoid	1013703	
26. Internal wiring loom	15 1273B	15 1273
25. Electronic control box	6 1232i	6 1229
24. Solenoid bracket kit	10 0135 24	
23. Key for electric motor shaft	10 1440	
22. Electric motor	N/A	
21. Brush springs for electric motor (kit)	15 0170 24*	
20. Brushes for electric motor (kit)	15 0180 24*	
19. Complete flexible coupling	20 1450 TC	
18. Hub flexible coupling	20 1453	
17. Rubber element	20 1452	
16. Oil container with holder	20 0300	
15. Oil hose with hose clamps	20 0400	
14. Complete motor bracket	13 0500	
13. O-ring seals in motor bracket	10 1340	
12. Complete gearleg	13 0600	
11. Gearleg bolt	10 1080	
10. Drive shaft key	10 1440	
9. Drive shaft seal	20 1351	
8. Propeller shaft seal	20 1350	
7. Gasket	10 1312	
6. Oil drain screw with gasket	10 1220	
5. Zinc anode	20 1180	
4. Locknut	10 1260	
3. Propeller washer	20 1181	
2. Propeller key	10 1241	
1. Propeller	10 1270 ??	
Other comments:	?? Need to indicate if this is a left hand (LH) or right hand (RH) propeller.	?? Need to indicate if this is a left hand (LH) or right hand (RH) propeller.

* Please provide thruster serial number when ordering brushes and brush springs.



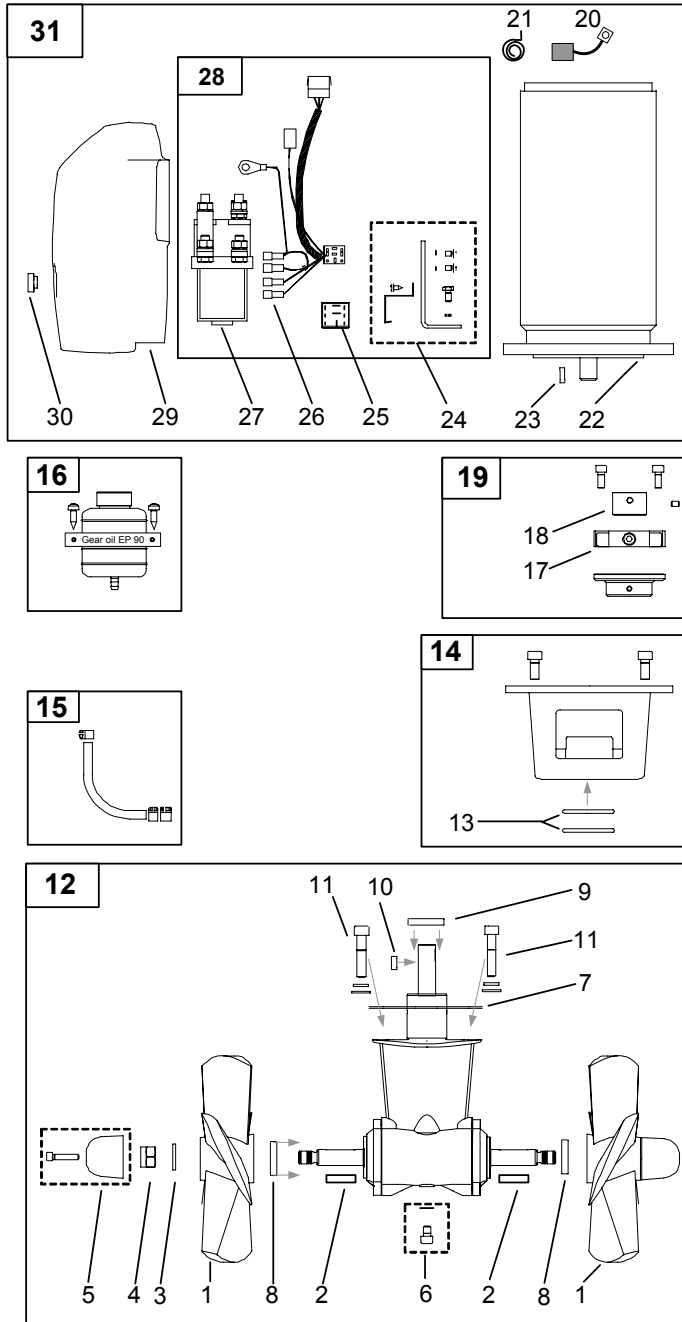
Ref:	Original model	SE210/250TC
	Model period	Part #
		24V
23	Complete electric motor assembly	1H0101 24
22	Nut for solenoid cover	6 8810
21	Solenoid Cover	20 2027
20	Complete solenoid kit	15 0131 24
19	Solenoid	1013703
18	Internal wiring loom	15 1273B
17	Electronic control box	6 1232i
16	Solenoid bracket kit	10 0135 24
15	Key for electric motor shaft	10 1440
14	Electric motor	N/A
13	Brush springs for motor (kit)	10 0170 24*
12	Brushes for motor (kit)	10 0180 24*
11	Complete flexible coupling	20 1450
11A	Hub flexible coupling	20 1453
11B	Rubber element	20 1452
10	Complete motor bracket	13 0501
9	Complete gearleg	13 0603
8	Gearleg bolt	10 1080
7	Driveshaft key	10 1440
6	Gasket	10 1312
5	Zink anode	20 1180
4	Locknut	10 1260
3	Propeller washer	20 1181
2	Propeller drivepin	9 1241
1	Propeller (specify Left Hand or Right Hand)	10 1271 LH/RH

* Please provide thruster serial number when ordering brushes and brush springs



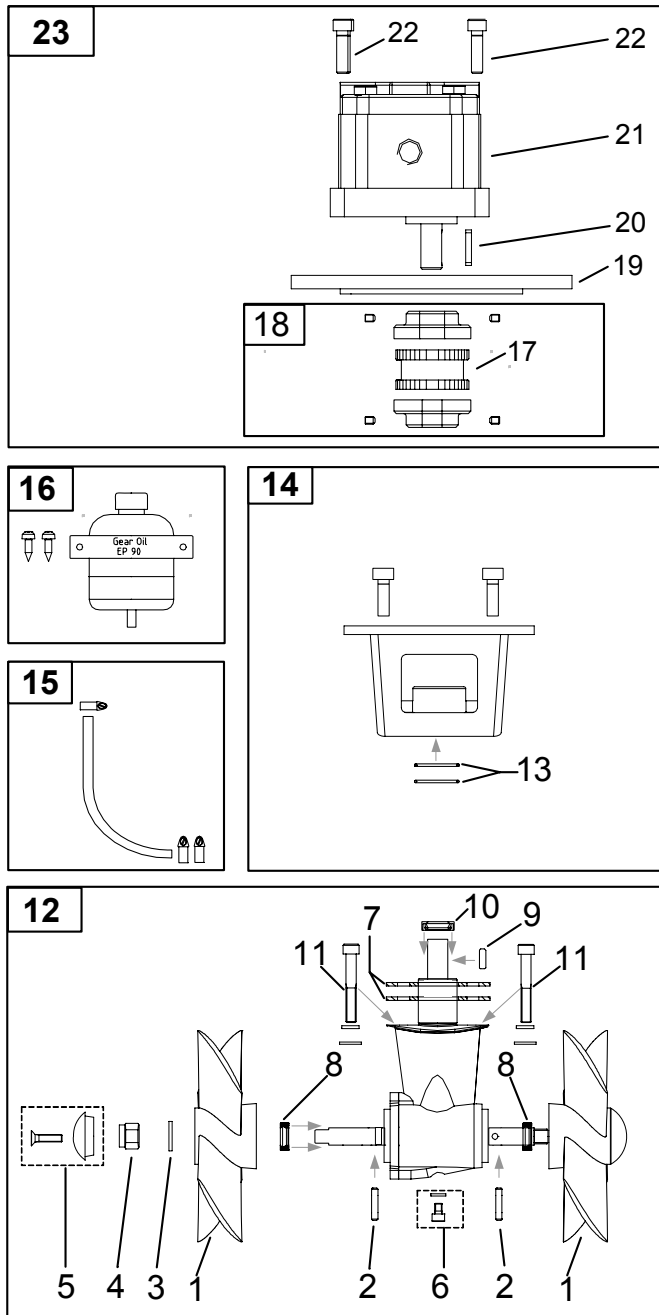
Original model	SP 240 TCi	SP 220 TC	15 Hp (20150)
Model period	12/04 <	10/99 - 11/04	10/97 - 09/99
Ref:	Part # 24V	Part # 24V	Part # 24V
31. Complete electric motor assembly	15 0101 24		
30. Nut for solenoid cover	6 8810		6 1285
29. Solenoid cover	20 2025		
28. Complete solenoid kit	15 0131 24	15 0130 24	-
27. Solenoid	1013703		
26. Internal wiring loom	15 1273B	15 1273	10 1268
25. Electronic control box	6 1232i	6 1229	
24. Solenoid bracket kit	10 0135 24		-
23. Key for electric motor shaft	20 1440		
22. Electric motor	N/A		
21. Brush springs for electric motor (kit)	15 0170 24*		
20. Brushes for electric motor (kit)	15 0180 24*		
19. Complete flexible coupling	20 1450		
18. Hub flexible coupling	20 1453		
17. Rubber element	20 1452		
16. Oil container with holder	20 0300		
15. Oil hose with hose clamps	20 0400		
14. Complete motor bracket	20 0500		
13. O-ring seals in motor bracket	20 1340		
12. Complete gearleg	20 0600		
11. Gearleg bolt	20 1080		
10. Drive shaft key	10 1440		
9. Drive shaft seal	20 1351		
8. Propeller shaft seal	20 1350		
7. Gasket	20 1312		
6. Oil drain screw with gasket	10 1220		
5. Zinc anode	20 1180		
4. Locknut	10 1260		
3. Propeller washer	20 1181		
2. Propeller key	10 1241		
1. Propeller	20 110 ??		
Other comments:	?? Need to indicate if this is a left hand (LH) or right hand (RH) propeller.	?? Need to indicate if this is a left hand (LH) or right hand (RH) propeller.	?? Need to indicate if this is a left hand (LH) or right hand (RH) propeller.

* Please provide thruster serial number when ordering brushes and brush springs.

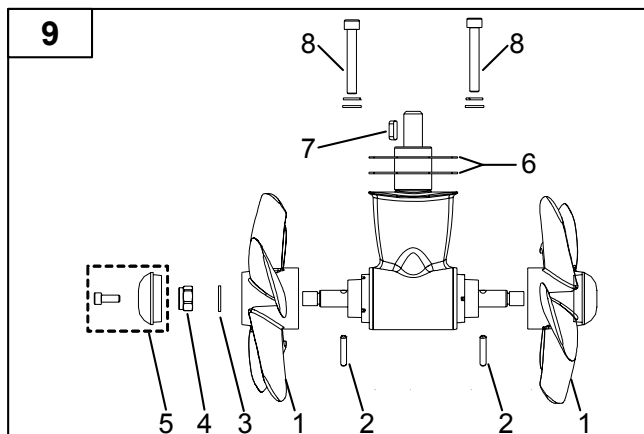
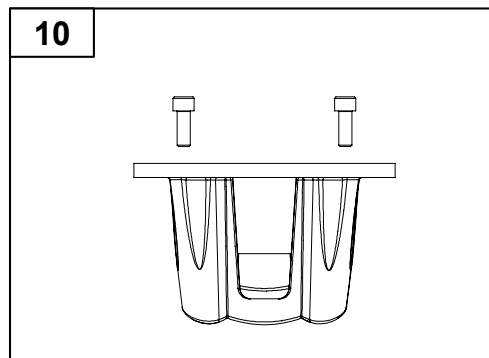
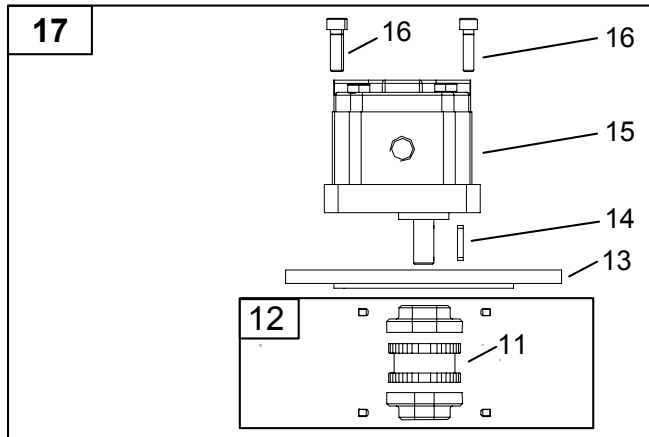


Original model	SP 285 TCi	SP 285 TC	20 Hp (20200)
Model period	12/04 <	10/99 - 11/04	10/97 - 09/99
Ref:	Part # 48V	Part # 48V	Part # 48V
31. Complete electric motor assembly		20 0101 48	
30. Nut for solenoid cover		6 8810	
29. Solenoid cover		20 2026	
28. Complete solenoid kit	20 0131 48	20 0130 48	-
27. Solenoid		1013703	
26. Internal wiring loom	20 1273B		20 1273
25. Electronic control box	6 1232i		6 1229
24. Solenoid bracket kit		10 0135 24	
23. Key for electric motor shaft		20 1440	
22. Electric motor		N/A	
21. Brush springs for electric motor (kit)		20 0170 48*	
20. Brushes for electric motor (kit)		20 0180 48*	
19. Complete flexible coupling		20 1450	
18. Hub flexible coupling		20 1453	
17. Rubber element		20 1452	
16. Oil container with holder		20 0300	
15. Oil hose with hose clamps		20 0400	
14. Complete motor bracket		20 0500	
13. O-ring seals in motor bracket		20 1340	
12. Complete gearleg		20 0600	
11. Gearleg bolt		20 1080	
10. Drive shaft key		10 1440	
9. Drive shaft seal		20 1351	
8. Propeller shaft seal		20 1350	
7. Gasket		20 1312	
6. Oil drain screw with gasket		10 1220	
5. Zinc anode		20 1180	
4. Locknut		10 1260	
3. Propeller washer		20 1181	
2. Propeller key		10 1241	
1. Propeller		20 110??	
Other comments:	?? Need to indicate if this is a left hand (LH) or right hand (RH) propeller.	?? Need to indicate if this is a left hand (LH) or right hand (RH) propeller.	?? Need to indicate if this is a left hand (LH) or right hand (RH) propeller.

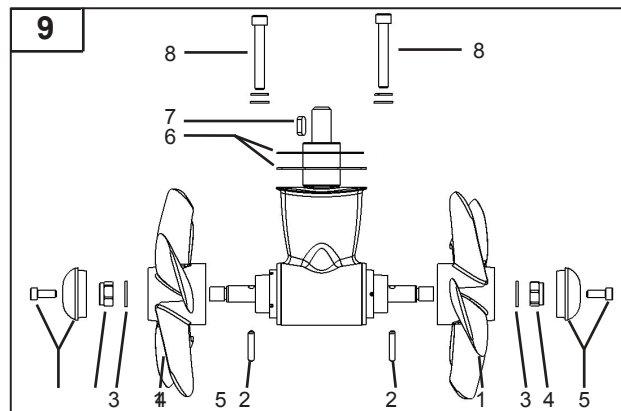
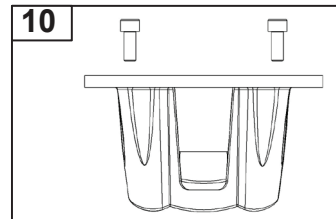
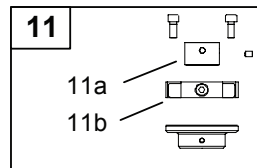
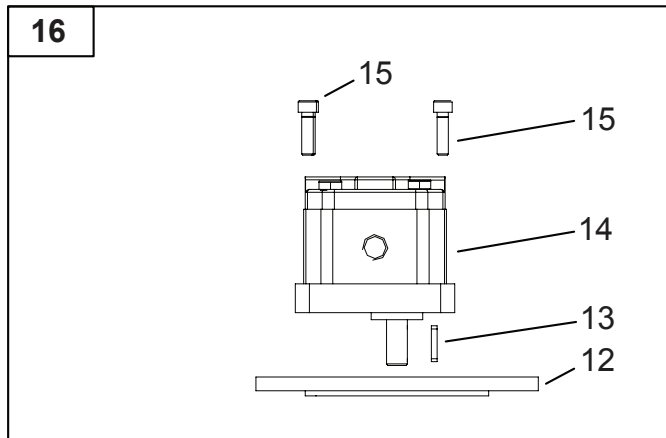
* Please provide thruster serial number when ordering brushes and brush springs.



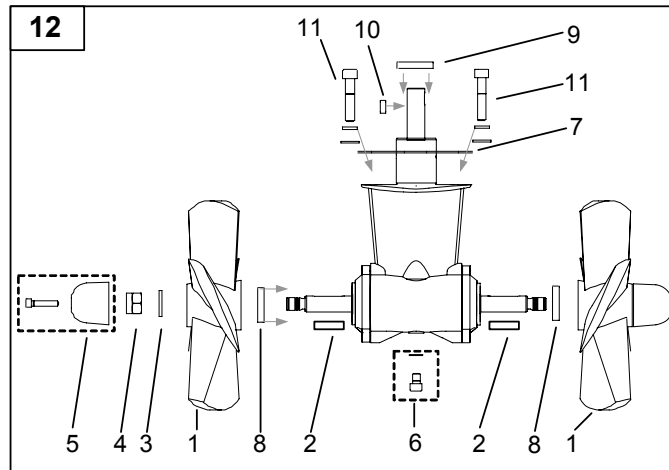
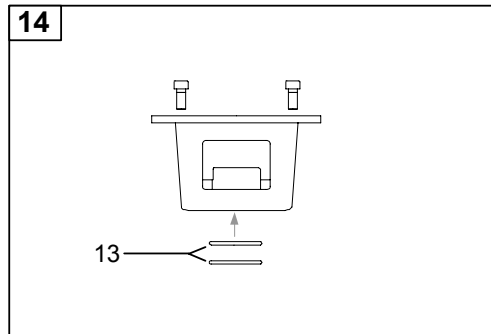
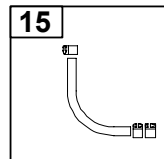
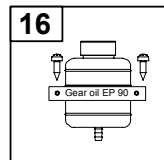
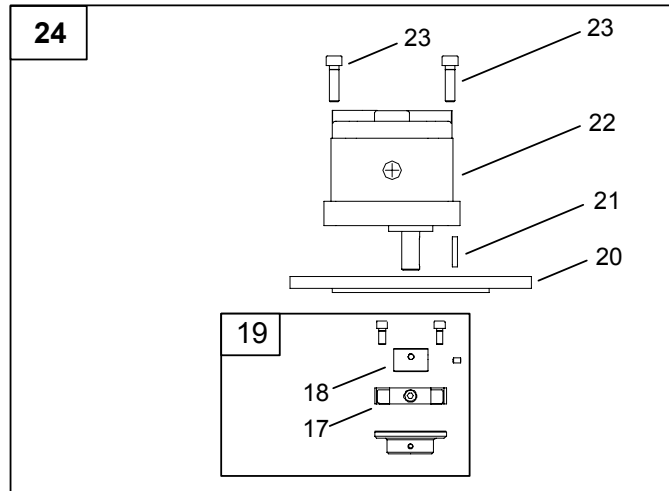
Original model	SP 100 HYD
Model period	11/02 - 08/07
	Part #
Ref:	
23. Complete hyd. motor assembly options:	
SP100HYD motor, U-04, complete	72104UL2
SP100HYD motor, U-06, complete	72100UL2
SP100HYD motor, U-08, complete	72110UL2
SP100HYD motor, U-10, complete	72115UL2
22. Hydraulic motor bolts (4 pcs.)	6 1360
21. Hydraulic motor options:	
U-04 (4ccm)	72100/U-04
U-06 (6ccm)	72100/U-06
U-08 (8ccm)	72100/U-08
U-10 (10ccm)	72100/U-10
20. Drive shaft key	7 1440
19. Adaptor plate	10 21301
18. Complete flexible coupling	7 1454
17. Rubber element	7 1451
16. Oil container with holder	20 0300
15. Oil hose with hose clamps	20 0400
14. Complete motor bracket	8 0500
13. O-ring seals in motor bracket	7 1340
12. Complete gearleg	8 0601
11. Gearleg bolt	7 1080
10. Drive shaft seal	7 1350
9. Drive shaft key	6 1440
8. Propeller shaft seal	6 1350
7. Gasket	8 0610
6. Oil drain screw with gasket	6 1220
5. Zinc anode	7 1190
4. Locknut	4 1260
3. Propeller washer	7 1181
2. Propeller drive pin	6 1241
1. Propeller	7 1260
Other comments:	



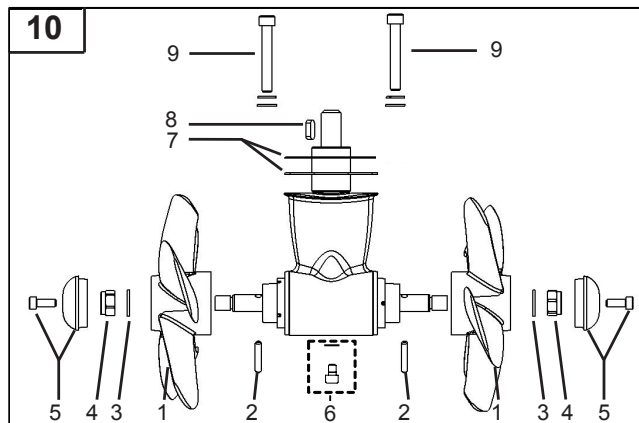
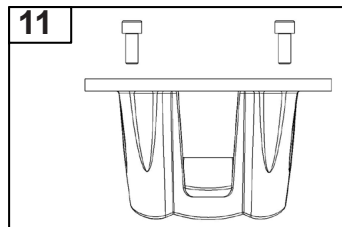
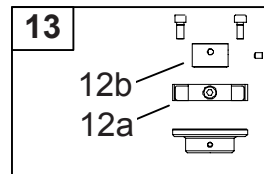
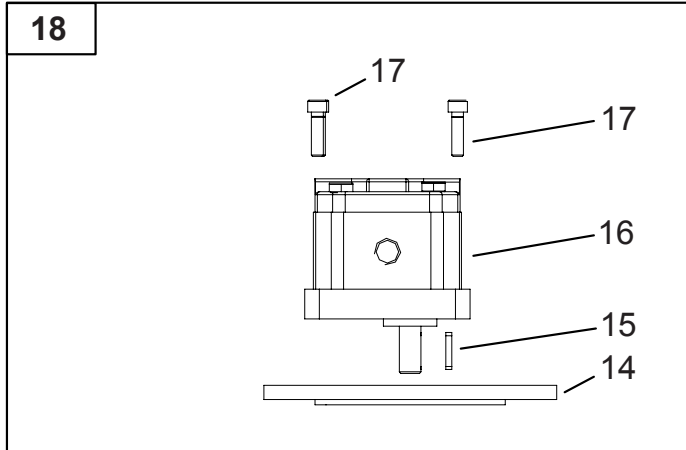
Original model	SH100/185T
Model period	09/07 <
Ref:	Part #
17. Complete hyd. motor assembly options:	
SH100HYD motor, U-04, complete	72104UL2
SH100HYD motor, U-06, complete	72100UL2
SH100HYD motor, U-08, complete	72110UL2
SH100HYD motor, U-10, complete	72115UL2
16 Hydraulic motor bolts (4 pcs.)	6 1360
15. Hydraulic motor options:	
U-04 (4ccm)	72100/U-04
U-06 (6ccm)	72100/U-06
U-08 (8ccm)	72100/U-08
U-10 (10ccm)	72100/U-10
14. Drive shaft key	7 1440
13. Adaptor plate	10 21301
12. Complete flexible coupling	7 1454
11. Rubber element	7 1451
10. Complete motor bracket	8 0501
9. Complete gearleg	8 0601
8. Gearleg bolt	7 1080
7. Drive shaft key	6 1440
6. Gasket (kit)	8 0611
5. Zinc anode	7 1190
4. Locknut	4 1260
3. Propeller w/asher	7 1181
2. Propeller drive pin	6 1241
1. Propeller	7 1261
Other comments:	



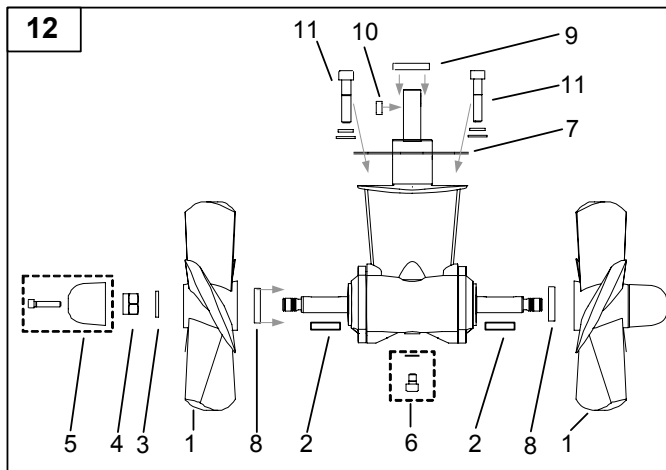
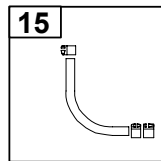
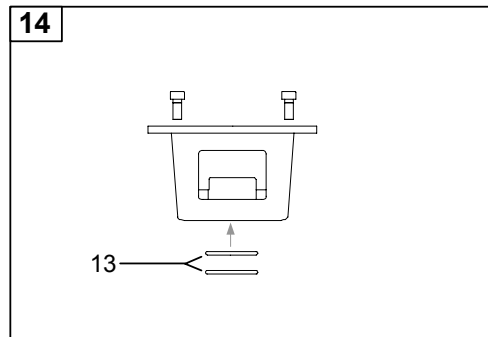
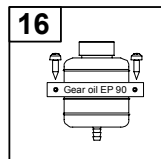
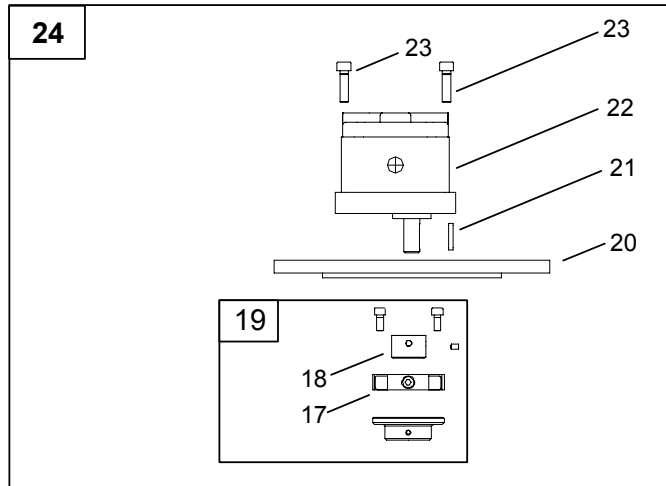
Original model		SH 160/215T
Model period		08/08 <
Ref:	Part #	
16	Complete hyd. motor assembly options	
	SH160 motor, U-06 complete	72100UL2
	SH160 motor, U-08 complete	72110UL2
	SH160 motor, U-10 complete	72115UL2
15	Hydraulic motor bolts	6 1360
14	Hydraulic motor options	
	U-06 (6 ccm)	72100/U-10
	U-08 (8 ccm)	72100/U-10
	U-10 (10 ccm)	72100/U-10
13	Drive shaft key	7 1440
12	Adaptor plate	1021301
11	Complete flexible coupling	10 1450 HYD
11b	Hub flexible coupling	10 1453
11a	Rubber element	10 1452
10	Complete motor bracket	9 0500
9	Complete gearleg	10 0600
8	Gearleg bolt	10 1080
7	Driveshaft key	10 1440
6	Gasket	9 1355
5	Zink anode	20 1180
4	Locknut	10 1260
3	Propeller washer	20 1181
2	Propeller drivepin	9 1241
1	Propeller	9 1261



Original model	SP 220 HYD
Model period	11/02 <
	Part #
Ref:	
24. Complete hyd. motor assembly options:	
SP220HYD motor, U-08, complete, w /flex. coupling	72110UL3
SP220HYD motor, U-10, complete, w /flex. coupling	72115UL3
SP220HYD motor, U-11, complete, w /flex. coupling	102100UL2
SP220HYD motor, U-14, complete, w /flex. coupling	102110UL2
SP220HYD motor, U-16, complete, w /flex. coupling	102115UL2
SP220HYD motor, U-19, complete, w /flex. coupling	102120UL2
23. Hydraulic motor bolts (4 pcs.)	6 1360
22. Hydraulic motor options:	
U-08 (8ccm)	72100/U-08
U-10 (10ccm)	72100/U-10
U-11 (11ccm)	72100/U-11
U-14 (14ccm)	72100/U-14
U-16 (16ccm)	72100/U-16
U-19 (19ccm)	72100/U-19
21. Drive shaft key	7 1440
20. Adaptor plate	10 21301
19. Complete flexible coupling	10 1450HYD
18. Hub flexible coupling	10 1453
17. Rubber element	10 1452
16. Oil container with holder	
15. Oil hose with hose clamps	
14. Complete motor bracket	
13. O-ring seals in motor bracket	10 1340
12. Complete gearleg	
11. Gearleg bolt	10 1080
10. Drive shaft key	10 1440
9. Drive shaft seal	20 1351
8. Propeller shaft seal	20 1350
7. Gasket	10 1312
6. Oil drain screw with gasket	10 1220
5. Zinc anode	20 1180
4. Locknut	10 1260
3. Propeller washer	20 1181
2. Propeller key	10 1241
1. Propeller	10 1270 ??
Other comments:	?? Need to indicate if this is a left hand (LH) or right hand (RH) propeller.

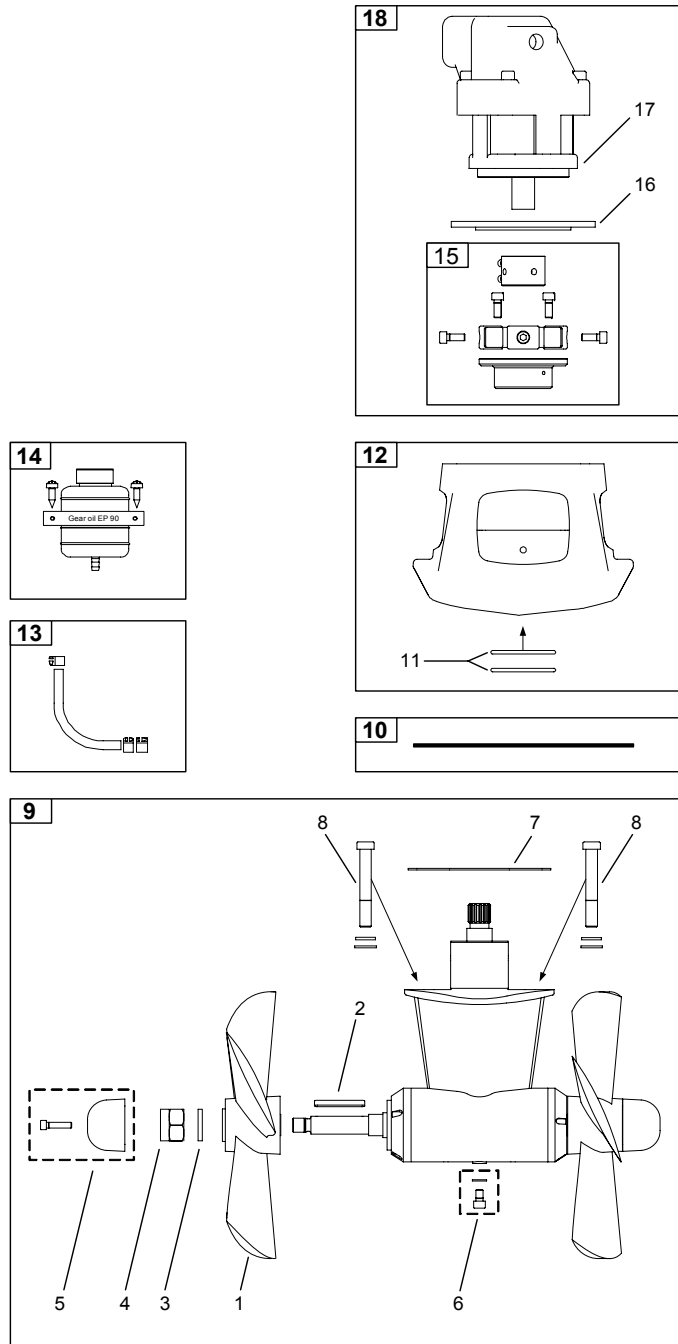


Original model		SH 240/250TC
Model period		09/08 <
Ref:	Part #	
18	Complete electric motor assembly	
	SH240 motor, U-08 complete	72110UL3
	SH240 motor, U-10 complete	72115UL3
	SH240 motor, U-11 complete	102100UL2
	SH240 motor, U-14 complete	102110UL2
	SH240 motor, U-16 complete	102115UL2
	SH240 motor, U-19 complete	102120UL2
17	Hydraulic motor bolts	6 1360
16	Hydraulic motor options	
	U-08 (8 ccm)	72100/U-08
	U-10 (10 ccm)	72100/U-10
	U-11 (11 ccm)	72100/U-11
	U-14 (14 ccm)	72100/U-14
	U-16 (16 ccm)	72100/U-16
	U-19 (19 ccm)	72100/U-19
15	Drive shaft key	7 1440
14	Adaptor plate	10 21301
13	Complete flexible coupling	10 1450 HYD
12b	Hub flexible coupling	20 1453
12a	Rubber element	20 1452
11	Complete motor bracket	10 0501
10	Complete gearleg	13 0602
9	Gearleg bolt	10 1080
8	Driveshaft key	10 1440
7	Gasket	10 1312
6		
5	Zink anode	20 1180
4	Locknut	10 1260
3	Propeller washer	20 1181
2	Propeller drivepin	9 1241
1	Propeller (specify Left Hand or Right Hand)	10 1271 LH/RH

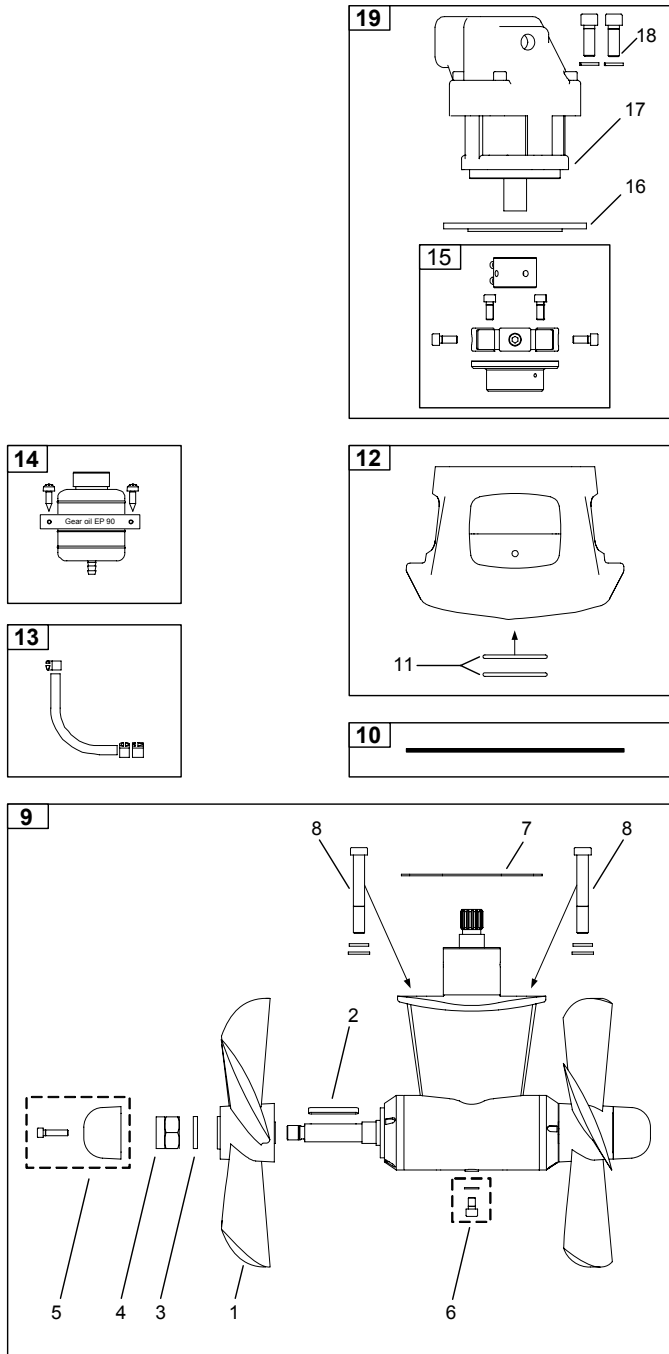


Original model	SP 300 HYD
Model period	11/02 <
Ref:	Part #
24. Complete hyd. motor assembly options:	
SP300HYD motor, U-10, complete, w /flex. coupling	102100UL1
SP300HYD motor, U-11, complete, w /flex. coupling	102100UL4
SP300HYD motor, U-14, complete, w /flex. coupling	102110UL3
SP300HYD motor, U-16, complete, w /flex. coupling	102115UL3
SP300HYD motor, U-19, complete, w /flex. coupling	102120UL3
23. Hydraulic motor bolts (4 pcs.)	6 1360
22. Hydraulic motor options:	
U-10 (10ccm)	72100/U10
U-11 (11ccm)	72100/U-11
U-14 (14ccm)	72100/U-14
U-16 (16ccm)	72100/U-16
U-19 (19ccm)	72100/U-19
21. Drive shaft key	7 1440
20. Adaptor plate	20 21301
19. Complete flexible coupling	20 1450HYD
18. Hub flexible coupling	20 1453
17. Rubber element	20 1452
16. Oil container with holder	20 0300
15. Oil hose with hose clamps	20 0400
14. Complete motor bracket	20 0500
13. O-ring seals in motor bracket	20 1340
12. Complete gearleg	20 0600
11. Gearleg bolt	20 1080
10. Drive shaft key	10 1440
9. Drive shaft seal	20 1351
8. Propeller shaft seal	20 1350
7. Gasket	20 1312
6. Oil drain screw w ith gasket	10 1220
5. Zinc anode	20 1180
4. Locknut	10 1260
3. Propeller w ashers	20 1181
2. Propeller key	10 1241
1. Propeller	20 110??

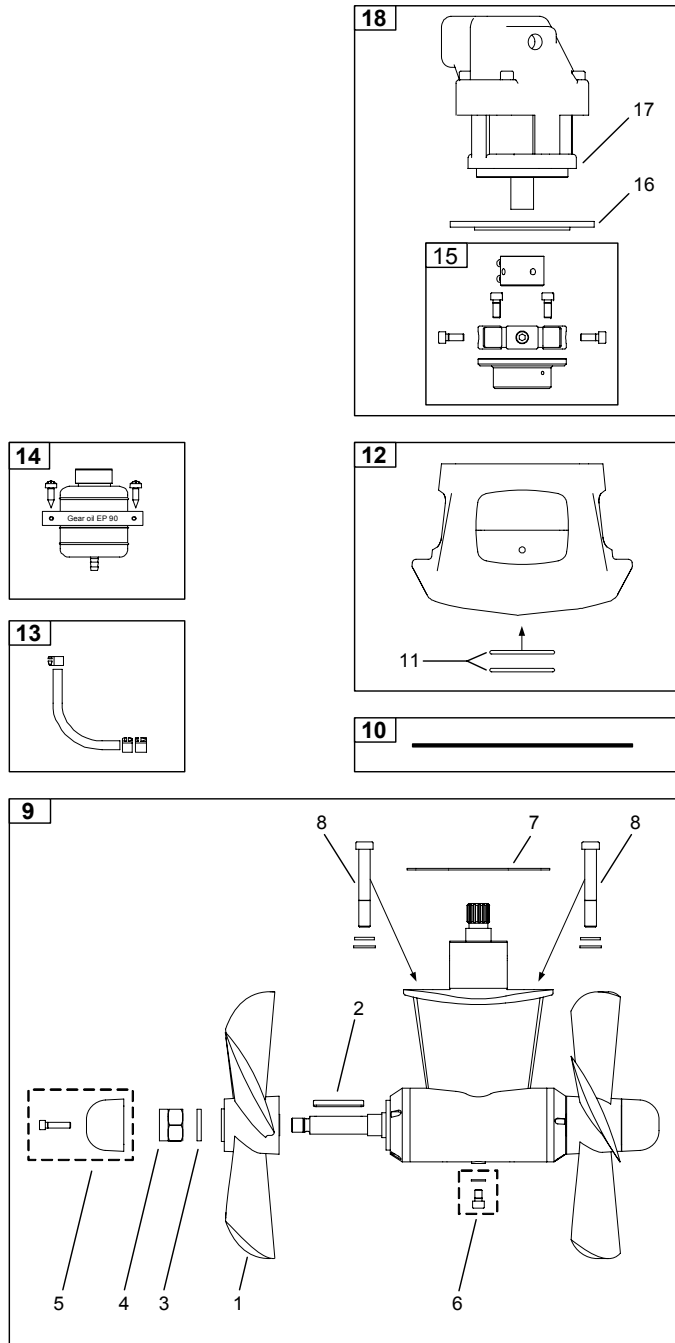
Other comments: ?? Need to indicate if this is a left hand (LH) or right hand (RH) propeller.



Original model	SH420/386TC
Model period	01/09 <
	Part #
Ref:	
18. Complete hyd. motor assembly options:	
SH420 motor, U-26, complete, w /flex. coupling	502126UL2
SH420 motor, U-29, complete, w /flex. coupling	502129UL2
SH 420 motor, U-33, complete, w /flex. coupling	502133UL2
SH420 motor, U-37, complete, w /flex. coupling	502137UL2
17. Hydraulic motor options:	
U-26 (26ccm)	72100/U-26
U-29 (29ccm)	72100/U-29
U-33 (33ccm)	72100/U-33
U-37 (37ccm)	72100/U-37
16. Adaptor plate	
Adaptor plate for "U" motors	5021301
Adaptor plate for "P" and "PRO" motors	5021302
15. Complete flexible coupling	50 1450HYD
14. Oil container with holder	20 0300
13. Oil hose with hose clamps	20 0400
12. Complete motor bracket	50 0500
11. O-ring seals in motor bracket	50 1340
10. Gasket (between motor bracket and tunnel)	50 1313
9. Complete gearleg	50 0600
8. Gearleg bolt	50 1080
7. Gasket (betw een gearleg and tunnel)	50 1312
6. Oil drain screw with gasket	50 1220
5. Zinc anode	50 1180
4. Locknut	50 1260
3. Propeller w washer	50 1181
2. Propeller key	50 1241
1. Propeller	50 1270??
Other comments:	?? Need to indicate if this is a left hand (LH) or right hand (RH) propeller.



Original model	SP 550 HYD
Model period	01/01 <
Ref:	Part #
19. Complete hyd. motor assembly options:	
SP550HYD motor, U-26, complete, w /flex. coupling	502126UL2
SP550HYD motor, U-29, complete, w /flex. coupling	502129UL2
SP550HYD motor, U-33, complete, w /flex. coupling	502133UL2
SP550HYD motor, U-37, complete, w /flex. coupling	502137UL2
SP550HYD motor, U-50, complete, w /flex. coupling	502150UL2
SP550HYD motor, P-42, complete, w /flex. coupling	502142UL
SP550HYD motor, P-52, complete, w /flex. coupling	502152UL
SP550HYD motor, PRO-40, complete, w /flex. coup.	502140V2
SP550HYD motor, PRO-60, complete, w /flex. coup.	502160V2
18. Hydraulic motor bolts	
Hydraulic motor bolts for "U" motors (2 pcs.)	50 1367
Hydraulic motor bolts for "P" and "PRO" motors (4)	50 1366
17. Hydraulic motor options:	
U-26 (26ccm)	72100/U-26
U-29 (29ccm)	72100/U-29
U-33 (33ccm)	72100/U-33
U-37 (37ccm)	72100/U-37
U-50 (50ccm)	72100/U-50
P-42 (42ccm)	72100/P-42
P-52 (52ccm)	72100/P-52
PRO-40 (40ccm)	72100/PRO-40
PRO-60 (60ccm)	72100/PRO-60
16. Adaptor plate	
Adaptor plate for "U" motors	5021301
Adaptor plate for "P" and "PRO" motors	5021302
15. Complete flexible coupling	
Complete flexible coupling for "U" motors	50 1450 HYD
Complete flexible coupling for "P" and "PRO" motors	50 1460 HYD
14. Oil container with holder	20 0300
13. Oil hose with hose clamps	20 0400
12. Complete motor bracket	50 0500
11. O-ring seals in motor bracket	50 1340
Gasket (between motor bracket and tunnel)	50 1313
9. Complete gearleg	50 0600
8. Gearleg bolt	50 1080
7. Gasket (betw een gearleg and tunnel)	50 1312
6. Oil drain screw w ith gasket	50 1220
5. Zinc anode	50 1180
4. Locknut	50 1260
3. Propeller washer	50 1181
2. Propeller key	50 1241
1. Propeller	50 1270??
Other comments:	?? Need to indicate if this is a left hand (LH) or right hand (RH) propeller.



Original model	SH550/386TC
Model period	01/09 <
Ref:	Part #
18. Complete hyd. motor assembly options:	
SH550 motor, U-50 , complete, w /flex. coupling	502150UL2
SH550 motor, P-42, complete, w /flex. coupling	502142UL
SH550 motor, P-52, complete, w /flex. coupling	502152UL
SH550 motor, PRO-40, complete, w /flex. coup.	502140V2
SH550 motor, PRO-60, complete, w /flex. coup.	502160V2
17. Hydraulic motor options:	
U-50 (50ccm)	72100/U-50
P-42 (42ccm)	72100/P-42
P-52 (52ccm)	72100/P-52
PRO-40 (40ccm)	72100/PRO-40
PRO-60 (60ccm)	72100/PRO-60
16. Adaptor plate	
Adaptor plate for "U" motors	5021301
Adaptor plate for "P" and "PRO" motors	5021302
15. Complete flexible coupling	50 1450HYD
14. Oil container with holder	20 0300
13. Oil hose with hose clamps	20 0400
12. Complete motor bracket	50 0500
11. O-ring seals in motor bracket	50 1340
10. Gasket (between motor bracket and tunnel)	50 1313
9. Complete gearleg	50 0600
8. Gearleg bolt	50 1080
7. Gasket (betw een gearleg and tunnel)	50 1312
6. Oil drain screw w ith gasket	50 1220
5. Zinc anode	50 1180
4. Locknut	50 1260
3. Propeller w asher	50 1181
2. Propeller key	50 1241
1. Propeller	50 1270??
Other comments:	?? Need to indicate if this is a left hand (LH) or right hand (RH) propeller.

Service Centres

B & B GbR
Schulstrasse 12a
D-24623 Großenaspe
FON +49(0)4327-140 958
FON +49(0)172-2104 159
FAX +49(0)4327-140 957
ab@side-power.de
www.side-power.de



Sleipner Motor AS • P. O. Box 519, N-1612 Fredrikstad • Norway
Tel: +47 69 30 00 60 • Fax: +47 69 30 00 70 • sidepower@sleipner.no • www.side-power.com