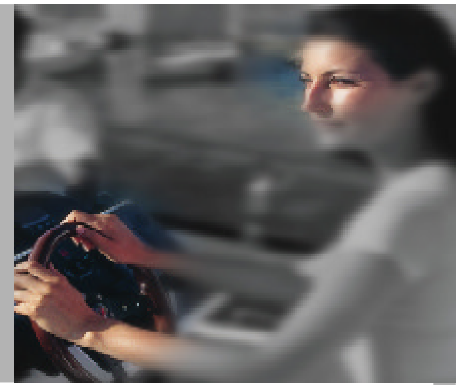


# SIDE-POWER

## Thruster systems



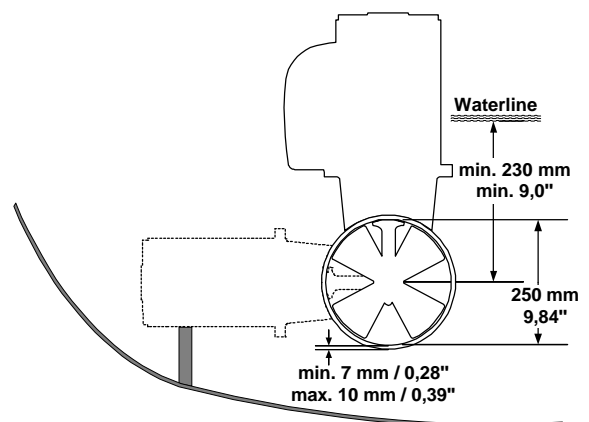
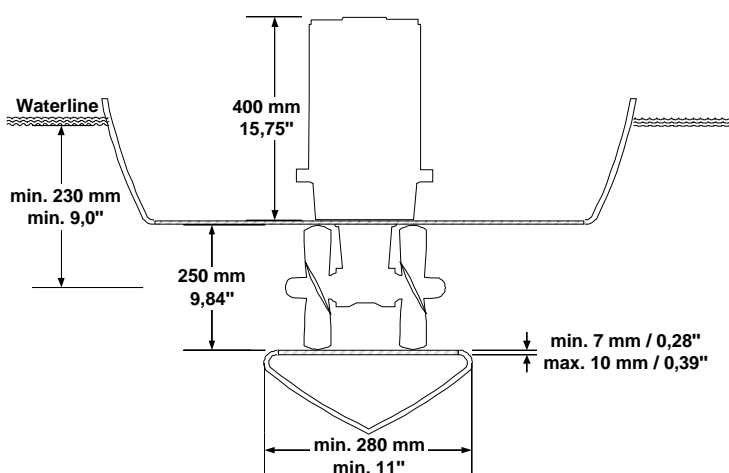
# SP 125 T



### MAIN FEATURES

Thrust at 10,5 / 21 V	125 kg / 275 lbs.
Power	6,5 kW / 8,7 Hp
Tunnel diameter	250 mm / 9,8"
Propulsion system	Twin
Voltage	12 V or 24 V
Weight	38 kg / 84 lbs.
Boat size	42 - 62 foot
Current draw	nom. 680 A (12 V) / 340 (24 V)
Min. battery CCA DIN	700 (12 V) / 350 (24 V)

This new and very effective thruster fills the gap between the 95 and 155 models in both performance and cost while also being the most powerful thruster available in a 12V version.



**Sleipner Motor AS**

P.O. Box 519  
N-1612 Fredrikstad  
Norway

Tel: +47 69 30 00 60  
Fax: +47 69 30 00 70

[www.side-power.com](http://www.side-power.com)  
[sidepower@sleipner.no](mailto:sidepower@sleipner.no)

