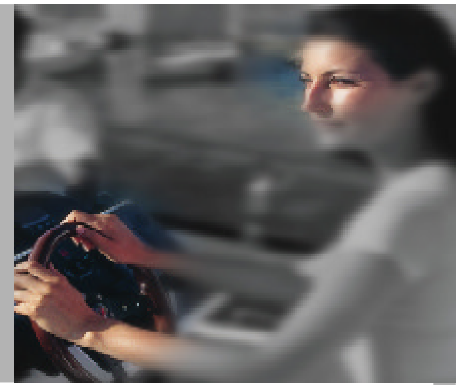


SIDE-POWER

Thruster systems



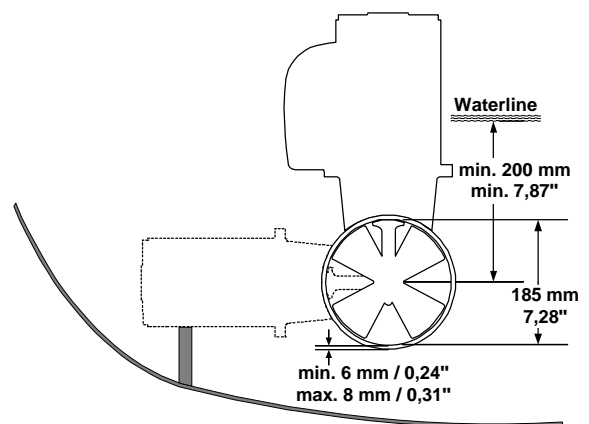
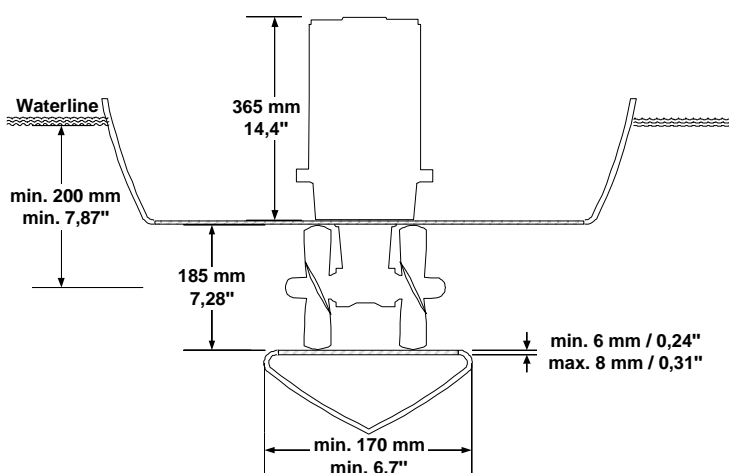
SP 75 T



MAIN FEATURES

Thrust at 10,5 / 21 V	75 kg / 165 lbs.
Power	4,4 kW / 6 Hp
Tunnel diameter	185 mm / 7,3"
Propulsion system	Twin
Voltage	12 V or 24 V
Weight	20 kg / 44 lbs.
Boat size	35 - 48 foot
Current draw	nom. 480 A (12 V) / 240 (24 V)
Min. battery CCA DIN	500 (12 V) / 250 (24 V)

With this compact and high power thruster, the Sidepower range ensures a perfect match for all boats. Noted for its effective performance it has become one of our most popular models.



Sleipner Motor AS

P.O. Box 519
N-1612 Fredrikstad
Norway

Tel: +47 69 30 00 60
Fax: +47 69 30 00 70

www.side-power.com
sidepower@sleipner.no

